



## XTE-412 Defender® Electronic Thermostat

Ruffneck™ Defender® XTE-412 is engineered for use in the most demanding applications such as drilling rigs, utilidors and industrial facilities where severe service conditions exist.

The Ruffneck™ Defender® XTE-412 thermostat is for heating and cooling control in demanding industrial applications. It is designed for use in hazardous locations where explosive gases or dusts are present. The Ruffneck™ Defender® XTE-412 thermostat is available for line duty up to 240 VAC or pilot duty for up to 120 VAC.

### Features

- all aluminum exterior
- no breakable external plastic parts
- no exposed copper or brass
- precision die cast components
- thermal sensor is protected by a sturdy thermowell
- 24V AC/DC, 120V / 240V AC
- compact and light-weight
- compatible with all previous and current Defender® thermostat housings
- microcontroller design
- electronic relay switch

### Specifications

**Temperature range:** 32°F to 104°F (0°C to 40°C)

**Temperature differential:** 5.4°F (3°C)

**Net weight:** 3.1 lbs (1.41 kg)

**Switching:** Relay contact

**Conduit opening:** 3/4" NPT

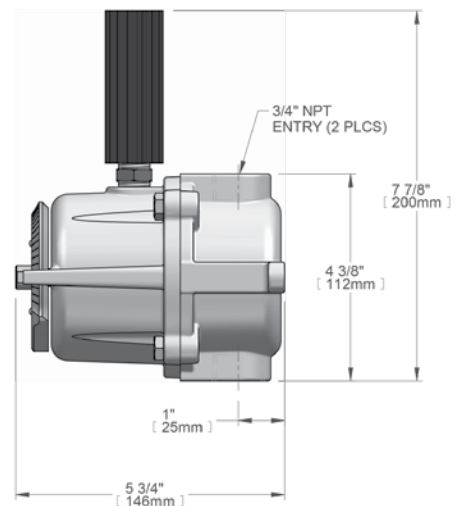
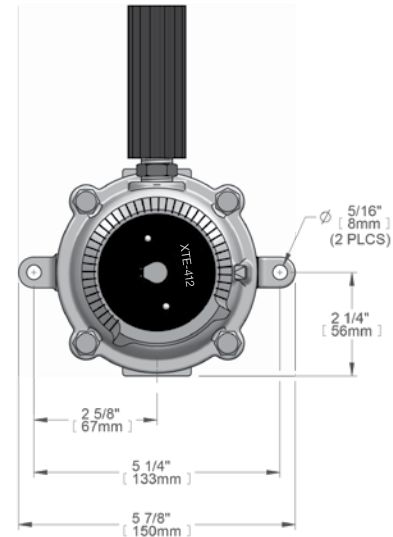
### Electrical Rating

Resistive: 240 VAC, N.O. 20 A, N.C. 10 A

Pilot Duty: 120 VAC, N.O. 470 VA, N.C. 275 VA

### Hazardous Location Ratings

Class I, Divisions 1 & 2, Groups C & D;  
Class II, Division 1, Groups E, F & G;  
Class II, Division 2, Groups F & G; Class III;  
Class I, Zones 1 & 2, Groups IIA & IIB



XTE-412 Defender®

Thermostats