

WIRING SCHEMATIC

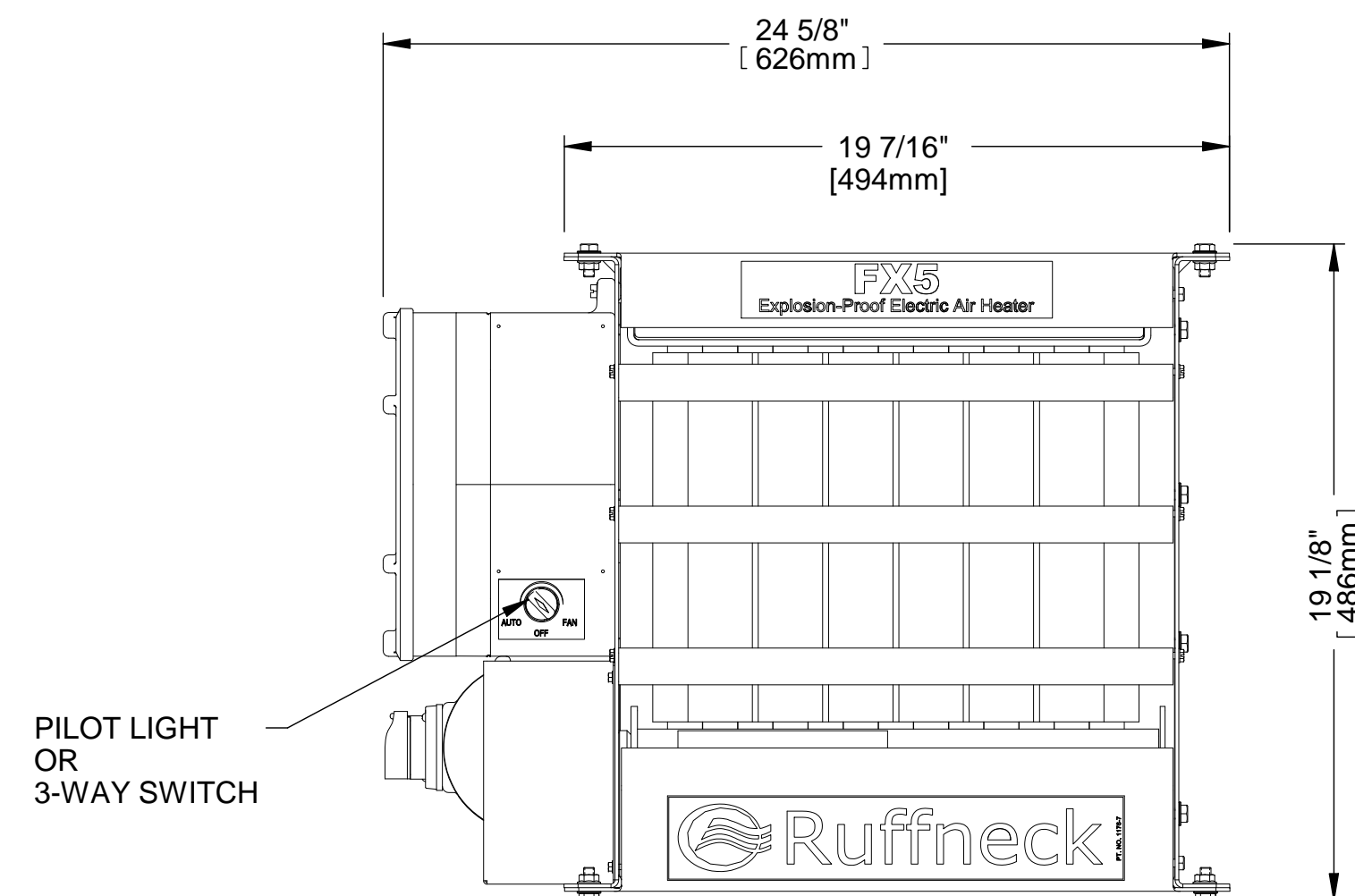
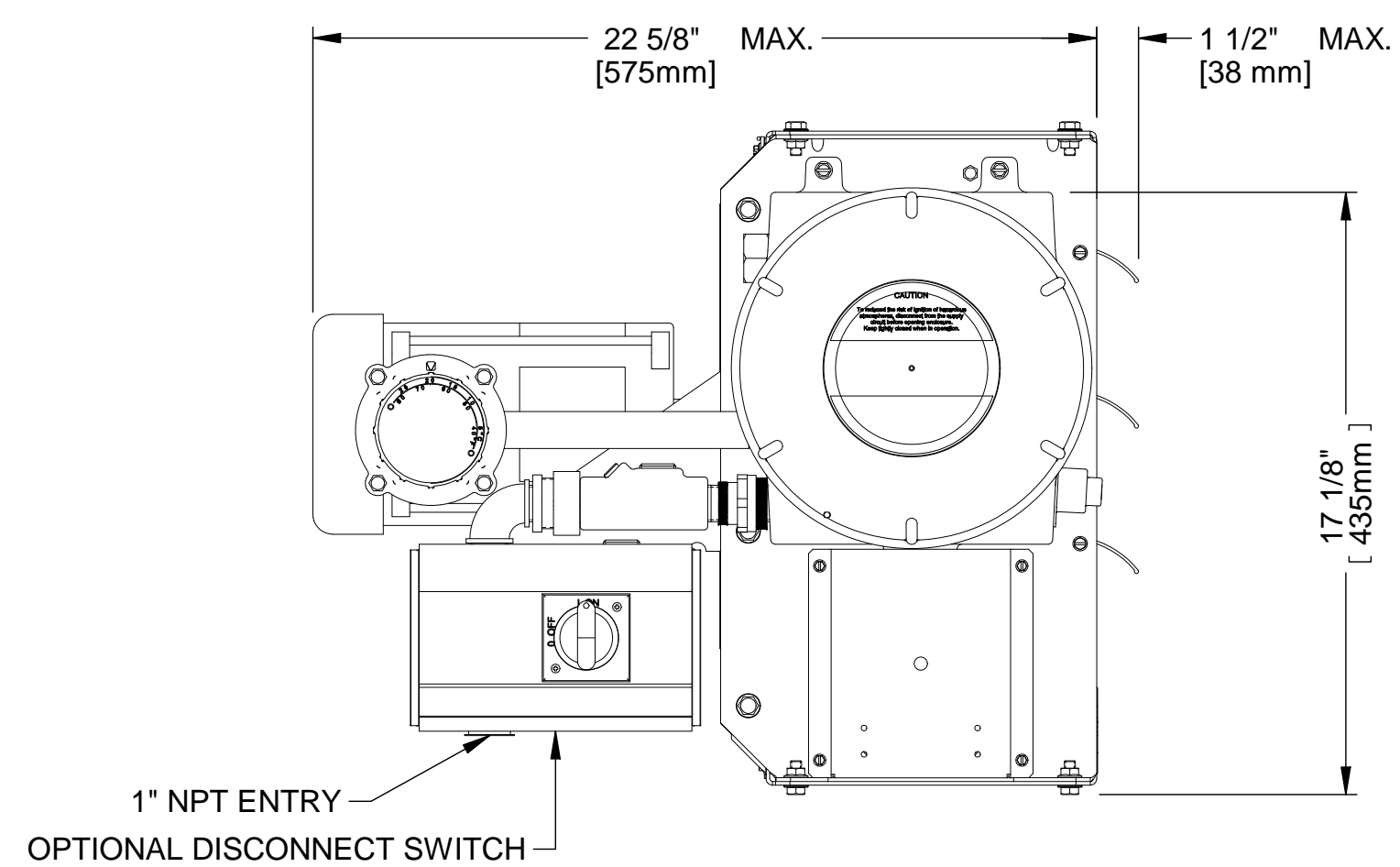
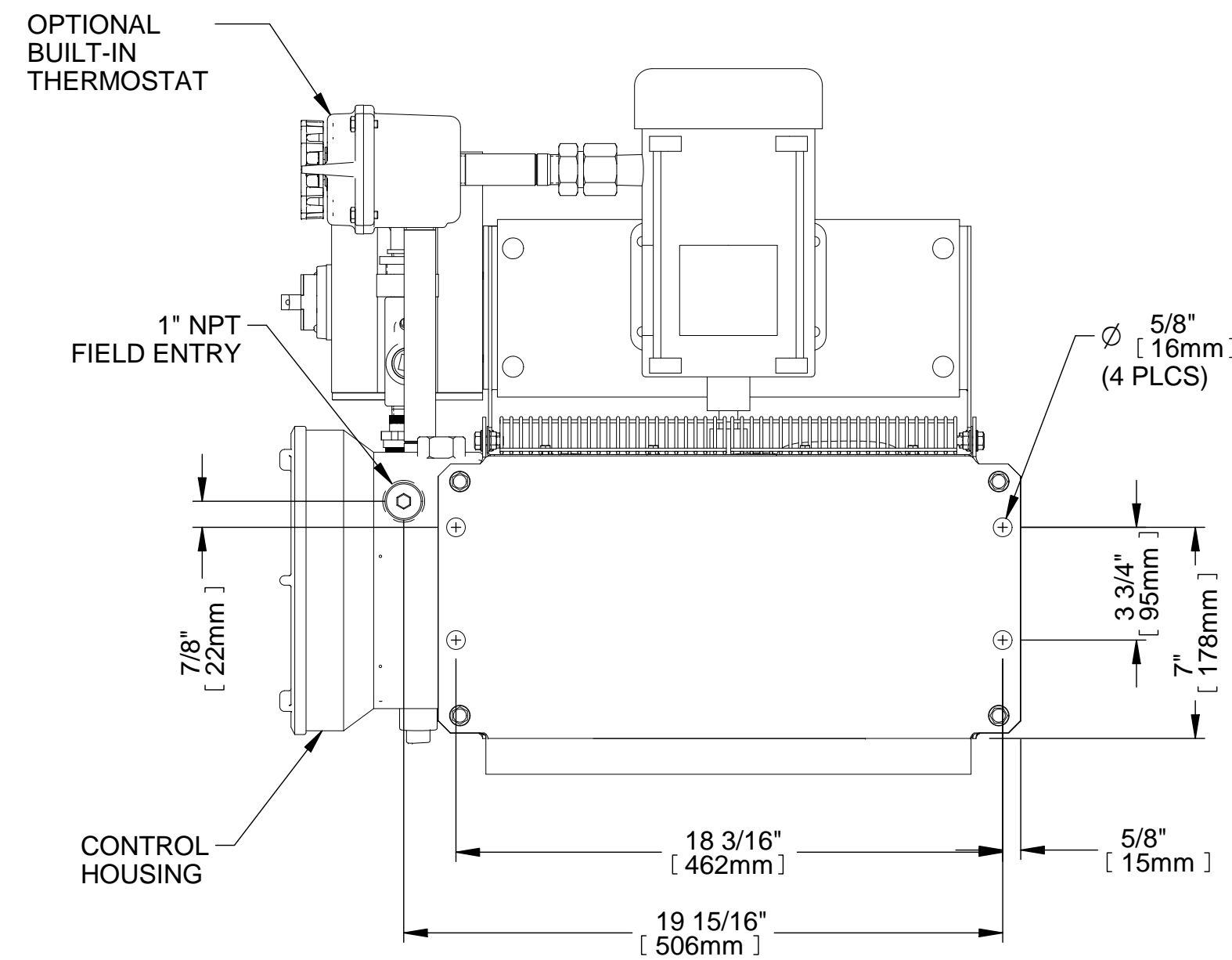
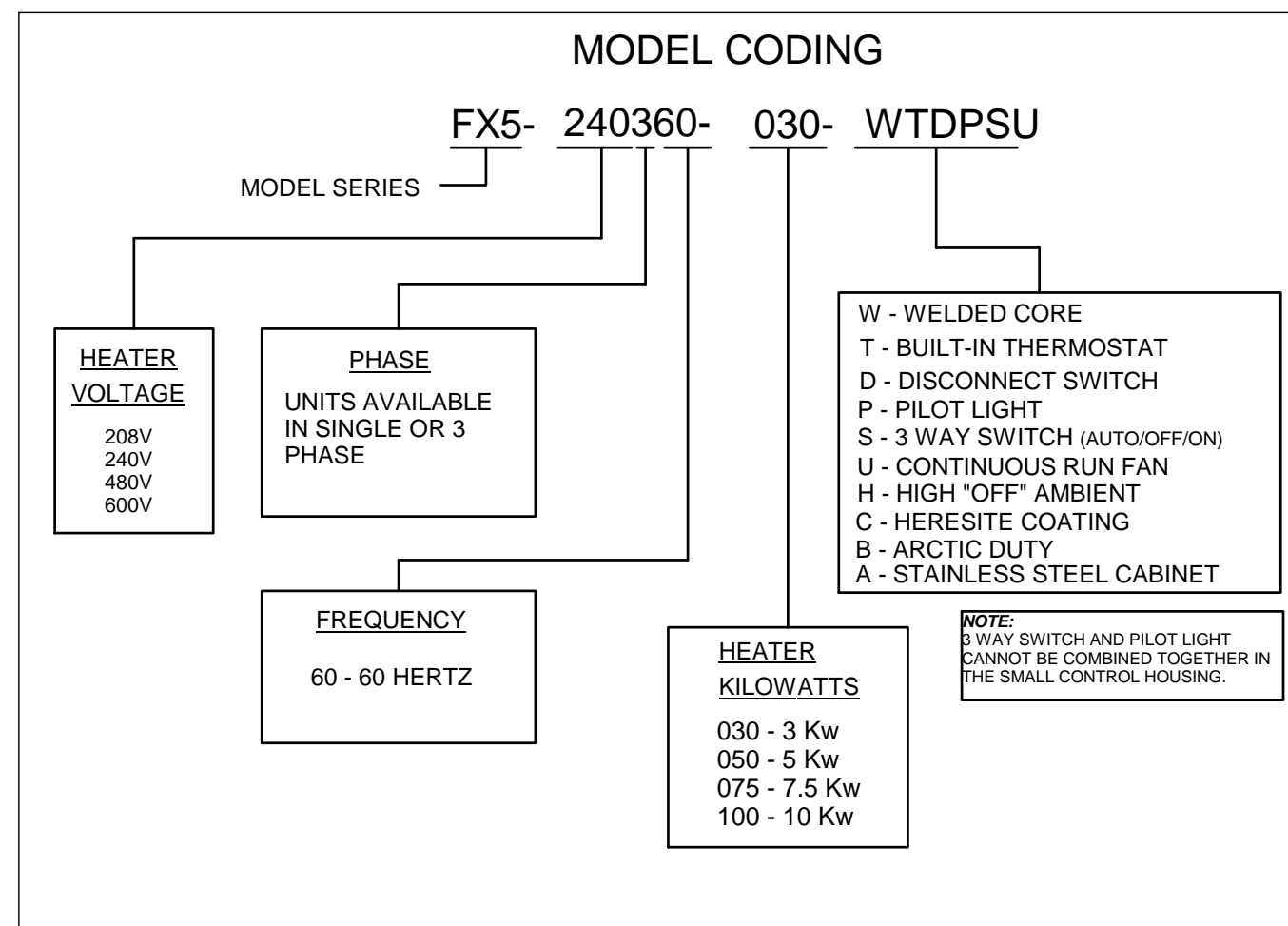


TABLE 1 - SPECIFICATIONS

KW (BTU/HR)	VOLT	PH	TOTAL CURRENT	MIN. CIRCUIT	MAX. FUSE	WIRE SIZE	BASIC MODEL	BUILT-IN THERMOSTAT	3-WAY SWITCH	PILOT LIGHT	DISCONNECT SWITCH	CONTINUOUS FAN
3 (10236)	208	1	14.4	18.0	20	12	FX5-208160-030	<input type="checkbox"/>	<input type="checkbox"/>	<input type="checkbox"/>	<input type="checkbox"/>	<input type="checkbox"/>
		3	8.3	10.4	15	14	FX5-208360-030	<input type="checkbox"/>	<input type="checkbox"/>	<input type="checkbox"/>	<input type="checkbox"/>	<input type="checkbox"/>
	240	1	12.5	15.6	20	12	FX5-240160-030	<input type="checkbox"/>	<input type="checkbox"/>	<input type="checkbox"/>	<input type="checkbox"/>	<input type="checkbox"/>
		3	7.2	9.0	15	14	FX5-240360-030	<input type="checkbox"/>	<input type="checkbox"/>	<input type="checkbox"/>	<input type="checkbox"/>	<input type="checkbox"/>
		1	6.3	7.9	15	14	FX5-480160-030	<input type="checkbox"/>	<input type="checkbox"/>	<input type="checkbox"/>	<input type="checkbox"/>	<input type="checkbox"/>
5 (17060)	208	1	24.0	30.0	30	10	FX5-208160-050	<input type="checkbox"/>	<input type="checkbox"/>	<input type="checkbox"/>	<input type="checkbox"/>	<input type="checkbox"/>
		3	13.9	17.4	20	14	FX5-208360-050	<input type="checkbox"/>	<input type="checkbox"/>	<input type="checkbox"/>	<input type="checkbox"/>	<input type="checkbox"/>
	240	1	20.8	26.0	30	10	FX5-240160-050	<input type="checkbox"/>	<input type="checkbox"/>	<input type="checkbox"/>	<input type="checkbox"/>	<input type="checkbox"/>
		3	12.0	15.0	15	14	FX5-240360-050	<input type="checkbox"/>	<input type="checkbox"/>	<input type="checkbox"/>	<input type="checkbox"/>	<input type="checkbox"/>
		1	10.4	13.0	15	14	FX5-480160-050	<input type="checkbox"/>	<input type="checkbox"/>	<input type="checkbox"/>	<input type="checkbox"/>	<input type="checkbox"/>
7.5 (25591)	208	1	36.1	45.1	50	6	FX5-208160-075	<input type="checkbox"/>	<input type="checkbox"/>	<input type="checkbox"/>	<input type="checkbox"/>	<input type="checkbox"/>
		3	20.8	26.0	30	10	FX5-208360-075	<input type="checkbox"/>	<input type="checkbox"/>	<input type="checkbox"/>	<input type="checkbox"/>	<input type="checkbox"/>
	240	1	31.3	39.1	40	8	FX5-240160-075	<input type="checkbox"/>	<input type="checkbox"/>	<input type="checkbox"/>	<input type="checkbox"/>	<input type="checkbox"/>
		3	18.0	22.5	25	10	FX5-240360-075	<input type="checkbox"/>	<input type="checkbox"/>	<input type="checkbox"/>	<input type="checkbox"/>	<input type="checkbox"/>
		1	15.6	19.5	20	12	FX5-480160-075	<input type="checkbox"/>	<input type="checkbox"/>	<input type="checkbox"/>	<input type="checkbox"/>	<input type="checkbox"/>
10 (34121)	208	1	48.1	60.1	70	4	FX5-208160-100	<input type="checkbox"/>	<input type="checkbox"/>	<input type="checkbox"/>	N/A	<input type="checkbox"/>
		3	27.8	34.8	35	8	FX5-208360-100	<input type="checkbox"/>	<input type="checkbox"/>	<input type="checkbox"/>	<input type="checkbox"/>	<input type="checkbox"/>
	240	1	41.7	52.1	60	6	FX5-240160-100	<input type="checkbox"/>	<input type="checkbox"/>	<input type="checkbox"/>	<input type="checkbox"/>	<input type="checkbox"/>
		3	24.1	30.1	35	8	FX5-240360-100	<input type="checkbox"/>	<input type="checkbox"/>	<input type="checkbox"/>	<input type="checkbox"/>	<input type="checkbox"/>
		1	20.8	26.0	30	10	FX5-480160-100	<input type="checkbox"/>	<input type="checkbox"/>	<input type="checkbox"/>	<input type="checkbox"/>	<input type="checkbox"/>
600	1	12.0	15.0	15	14	FX5-480360-100	<input type="checkbox"/>	<input type="checkbox"/>	<input type="checkbox"/>	<input type="checkbox"/>	<input type="checkbox"/>	
	3	9.6	12.0	15	14	FX5-600360-100	<input type="checkbox"/>	<input type="checkbox"/>	<input type="checkbox"/>	<input type="checkbox"/>	<input type="checkbox"/>	

NOTES:

1. NET WEIGHT:

WITHOUT DISCONNECT: 65 KG [143 LBS]
WITH DISCONNECT: 71 KG [156 LBS]

2. SHIPPING WEIGHT:

WITHOUT DISCONNECT: 90 KG [197 LBS]
WITH DISCONNECT: 95 KG [209 LBS]

3. MAX. OPERATING AMBIENT TEMP:

40°C [104°F]

4. HAZARDOUS LOCATION CLASSIFICATION:

cULus LISTED FOR THE FOLLOWING LOCATIONS:
CLASS I, DIVISION 1 & 2, GROUPS C & D
CLASS II, DIVISION 1, GROUPS E, F, & G
CLASS II, DIVISION 2, GROUPS F & G
CLASS I, ZONES 1 & 2, GROUPS IIA & IIB

TEMPERATURE CODE:

T3B 165°C [329°F]

5. AIR DELIVERY:

FOR 3 kW and 5 kW UNITS:
500 CFM @ 70°F (NOMINAL)
850 m³/hr @ 21°C (NOMINAL)

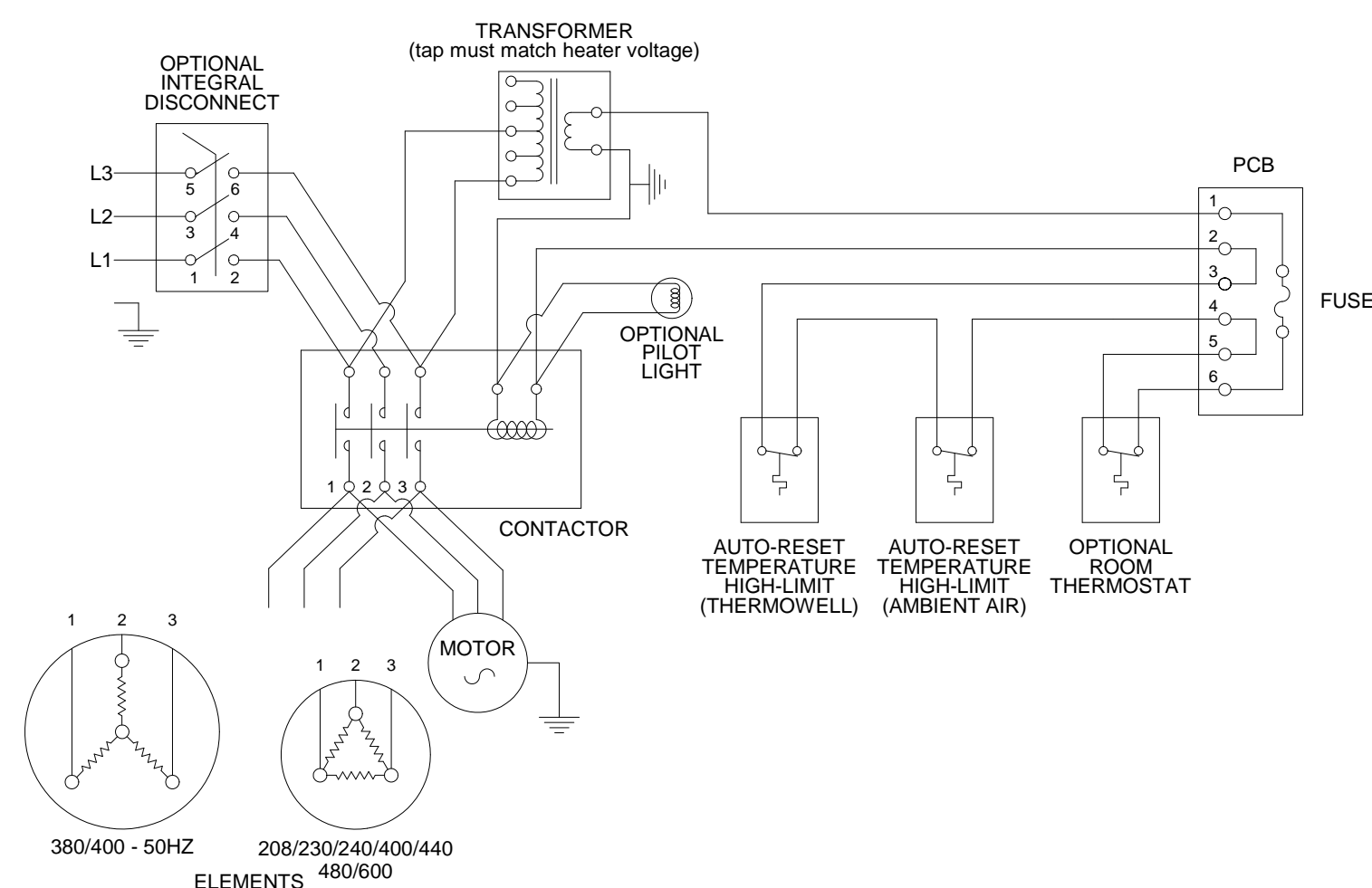
FOR 7.5 kW and 10 kW UNITS:
850 CFM @ 70°F (NOMINAL)
1,444 m³/hr @ 21°C (NOMINAL)

6. MATERIALS:

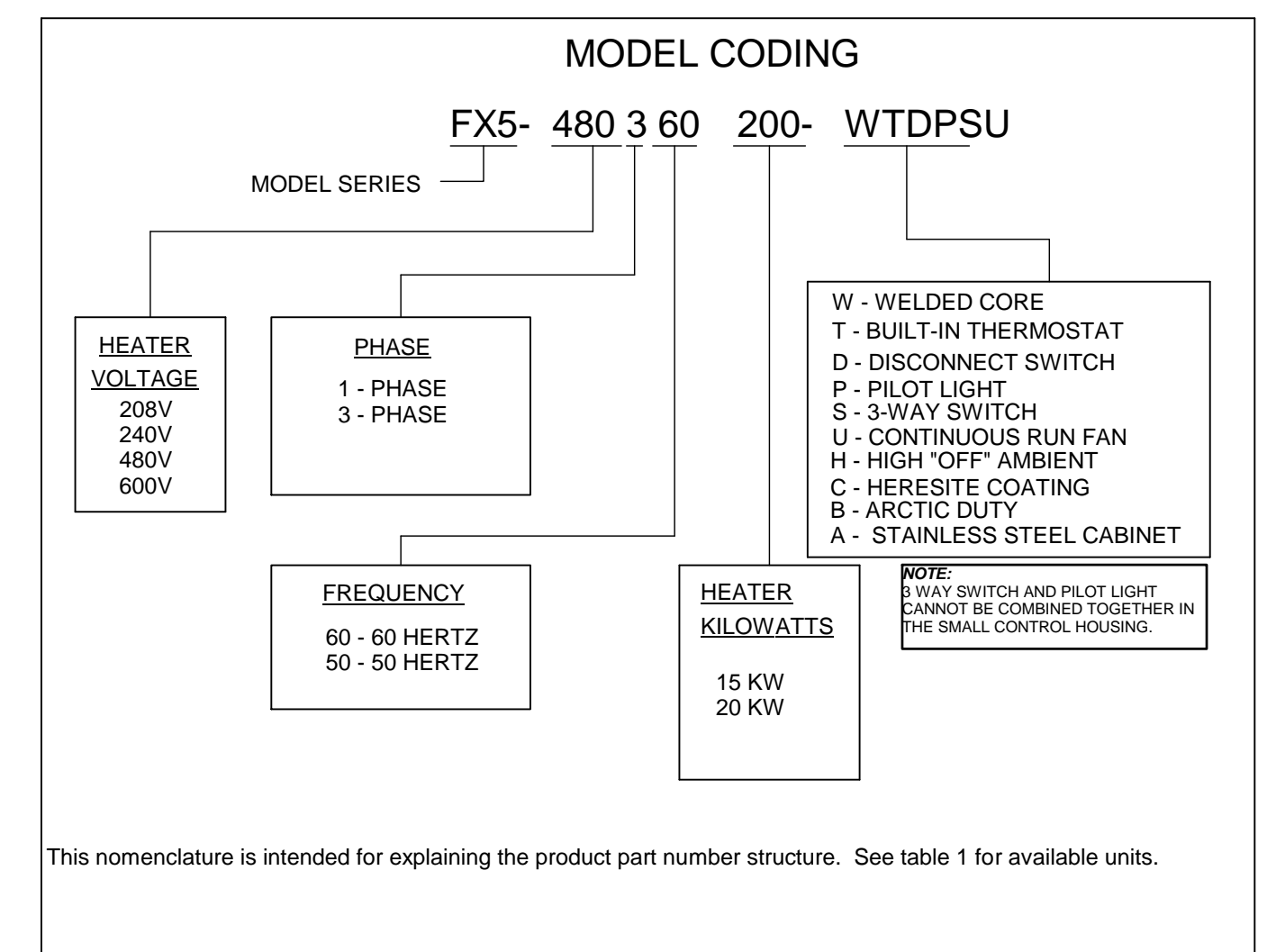
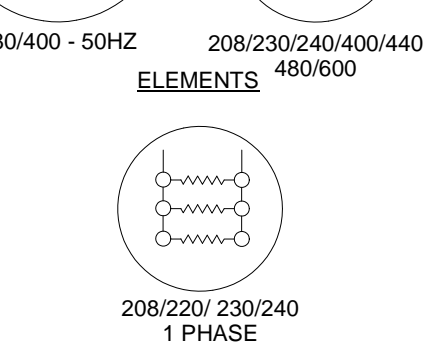
CABINET: 12 GA. EPOXY POWDER COATED RUFFNECK GREEN.
CORE: STEEL WITH INTEGRAL ALUMINUM FINs

REV.	REVISION DESCRIPTION	DATE	BY
TITLE: APPROVAL DATA SHEET RUFFNECK FX5 12"			
DWG NO.: 51746-D SHEET:		TOLERANCE UNLESS NOTED OTHERWISE	
SYTLINE NO.: 51746		± 1/2° ANGULAR	± 0.005" DECIMAL
SCALE: N.T.S.		± 1/16" FRACTIONAL	± 1 mm METRIC
DRN BY: pknigh		12 AUG 2016	
CHK'D BY: LB			
APP'D. BY: LB			





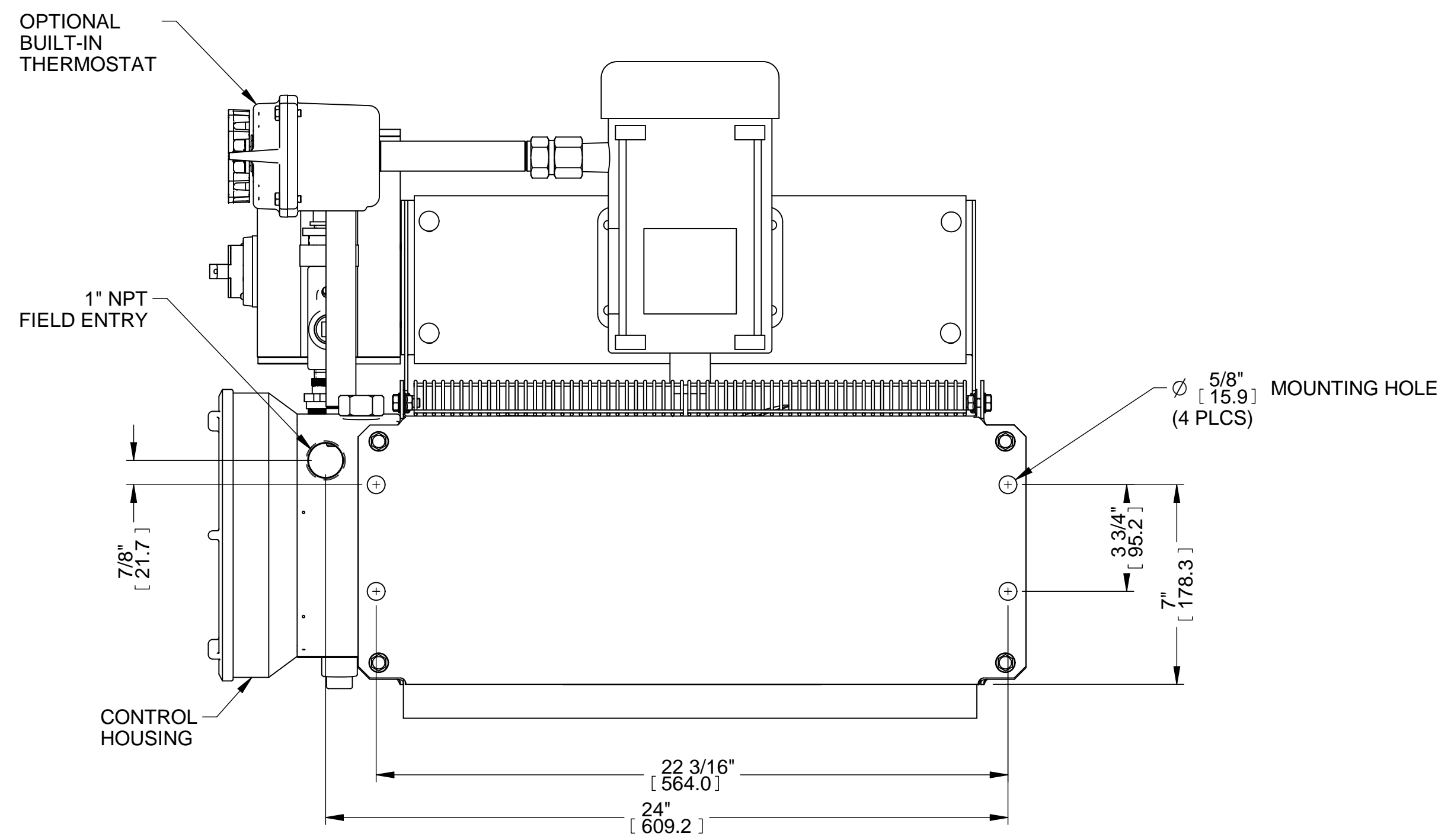
WIRING SCHEMATIC



This nomenclature is intended for explaining the product part number structure. See table 1 for available units.

TABLE 1 - SPECIFICATIONS

KW (BTU/HR)	VOLT	PH	TOTAL CURRENT	MIN. CIRCUIT	MAX. FUSE	WIRE SIZE	BASIC MODEL	BUILT-IN THERMOSTAT	DISCONNECT SWITCH	PILOT LIGHT	3-WAY SWITCH	CONTINUOUS FAN
15 (51225)	208	3	41.6	52	60	6	FX5-208360-150	<input type="checkbox"/>	<input type="checkbox"/>	<input type="checkbox"/>	<input type="checkbox"/>	<input type="checkbox"/>
	240	1	62.5	78.1	80	2	FX5-240160-150	<input type="checkbox"/>	N/A	<input type="checkbox"/>	<input type="checkbox"/>	<input type="checkbox"/>
	480	3	36.1	45.1	50	6	FX5-240360-150	<input type="checkbox"/>	<input type="checkbox"/>	<input type="checkbox"/>	<input type="checkbox"/>	<input type="checkbox"/>
	600	3	18.0	22.5	25	10	FX5-600360-150	<input type="checkbox"/>	<input type="checkbox"/>	<input type="checkbox"/>	<input type="checkbox"/>	<input type="checkbox"/>
20 (68300)	480	1	41.7	52.1	60	6	FX5-480160-200	<input type="checkbox"/>	<input type="checkbox"/>	<input type="checkbox"/>	<input type="checkbox"/>	<input type="checkbox"/>
	480	3	24.1	30.1	35	8	FX5-480360-200	<input type="checkbox"/>	<input type="checkbox"/>	<input type="checkbox"/>	<input type="checkbox"/>	<input type="checkbox"/>
	600	3	19.2	24.0	25	10	FX5-600360-200	<input type="checkbox"/>	<input type="checkbox"/>	<input type="checkbox"/>	<input type="checkbox"/>	<input type="checkbox"/>

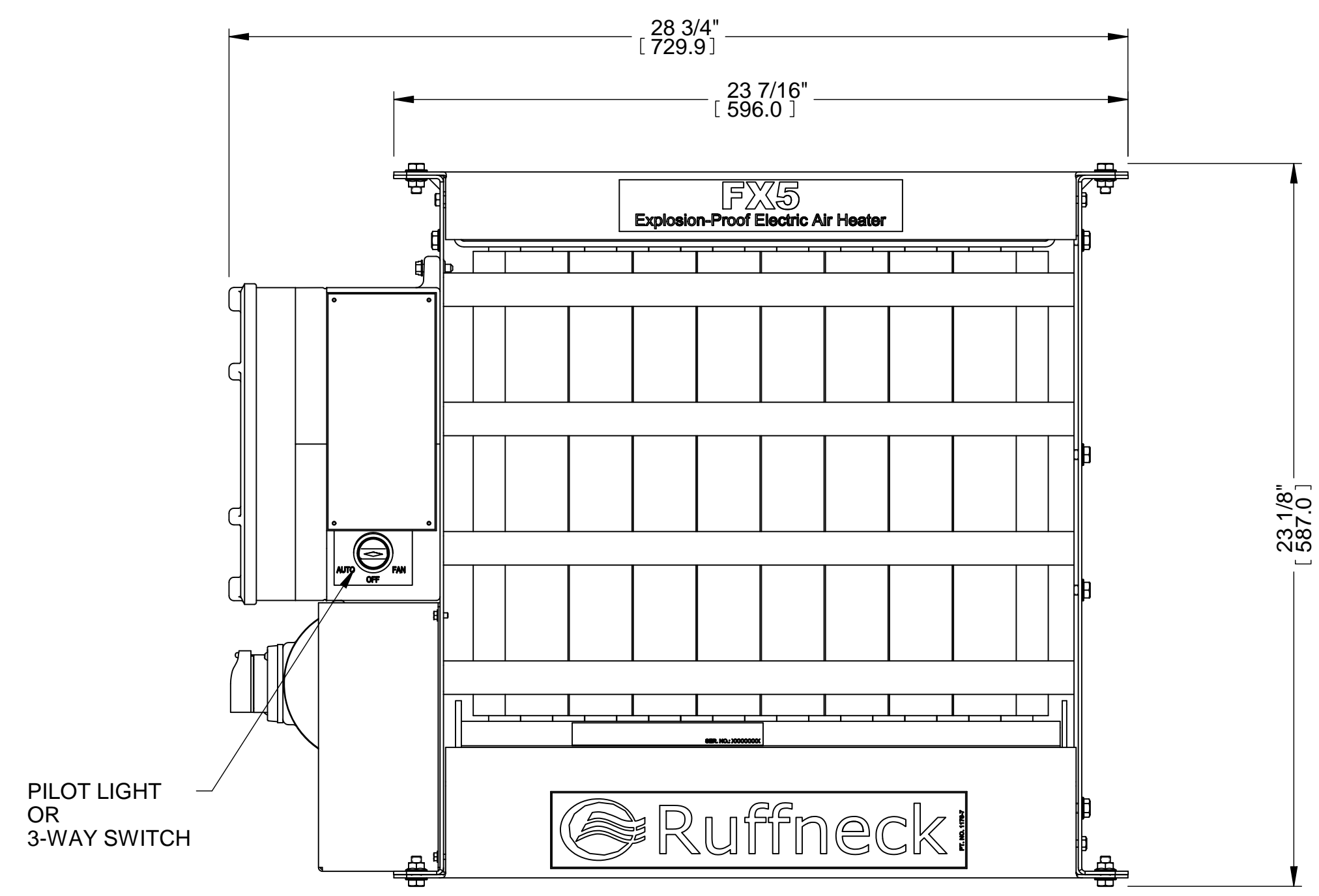
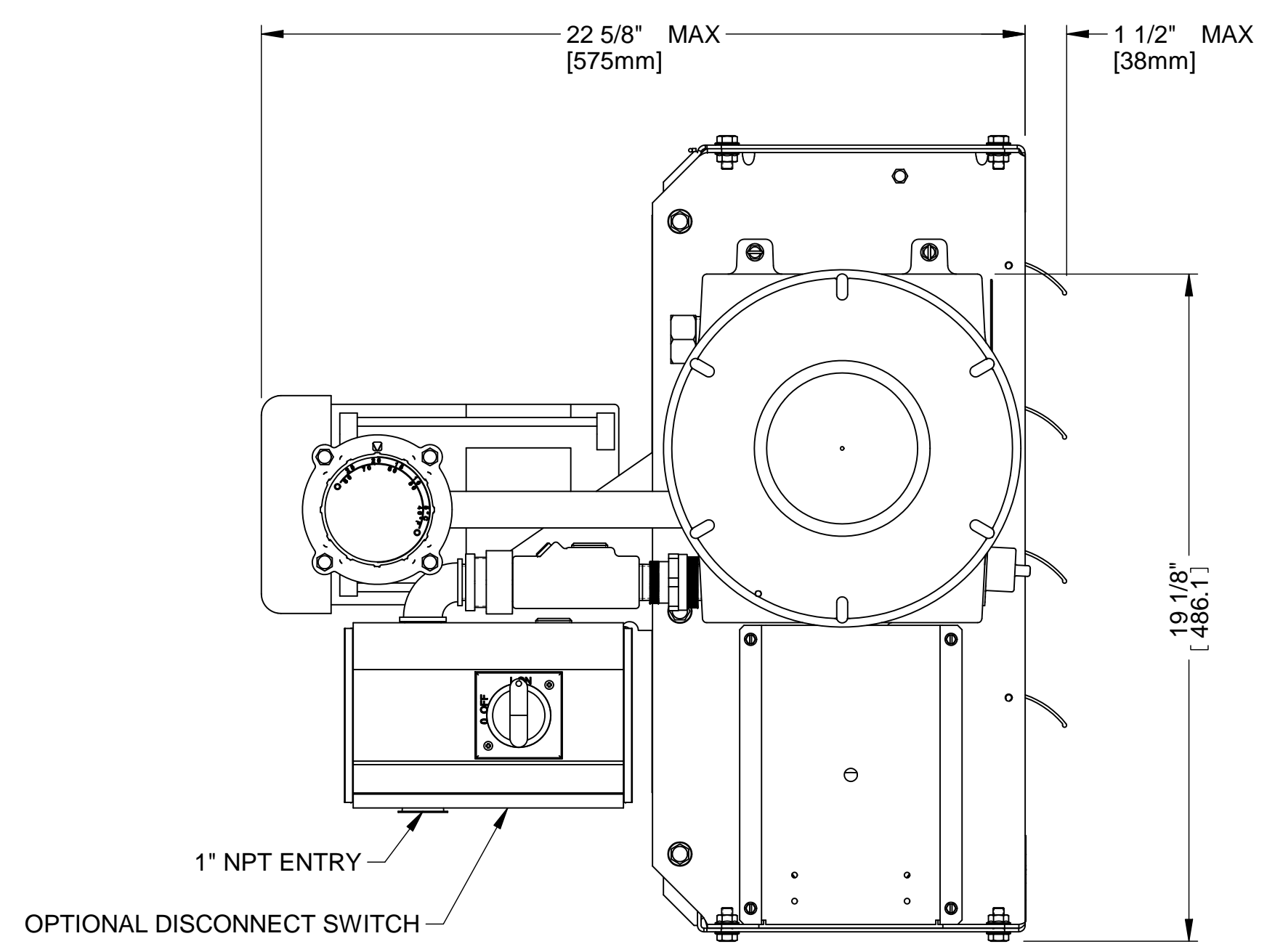


NOTES:

- NET WEIGHT:**
WITHOUT DISCONNECT: 78 KG [172 LBS]
WITH DISCONNECT: 84 KG [185 LBS]
- SHIPPING WEIGHT:**
WITHOUT DISCONNECT: 101 KG [222 LBS]
WITH DISCONNECT: 106 KG [233 LBS]
- MAX. OPERATING AMBIENT TEMP:**
40°C [104°F]
- HAZARDOUS LOCATION CLASSIFICATION:**
cULUS LISTED FOR THE FOLLOWING LOCATIONS:
CLASS I, DIVISION 1 & 2, GROUPS C & D
CLASS II, DIVISION 1, GROUPS E, F, & G
CLASS II, DIVISION 2, GROUPS F & G
CLASS I, ZONES 1 & 2, GROUPS IIA & IIB

TEMPERATURE CODE:
T3B 165°C [329°F]
- AIR DELIVERY:**
1750 CFM @ 70°F (NOMINAL)
2973 m³/hr @ 21°C (NOMINAL)
- MATERIALS:**
CABINET: 12 GA. EPOXY POWDER COATED RUFFNECK GREEN.

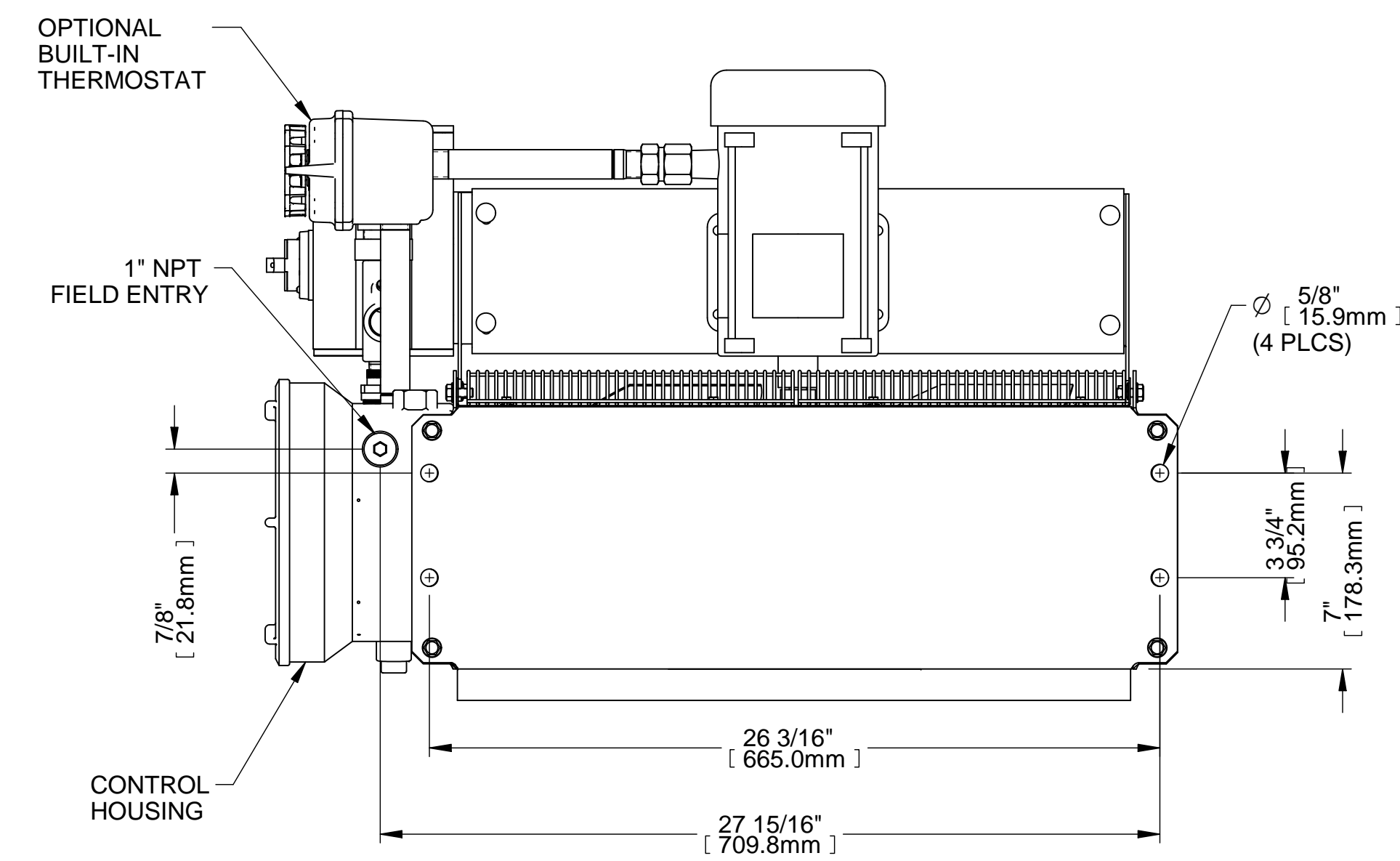
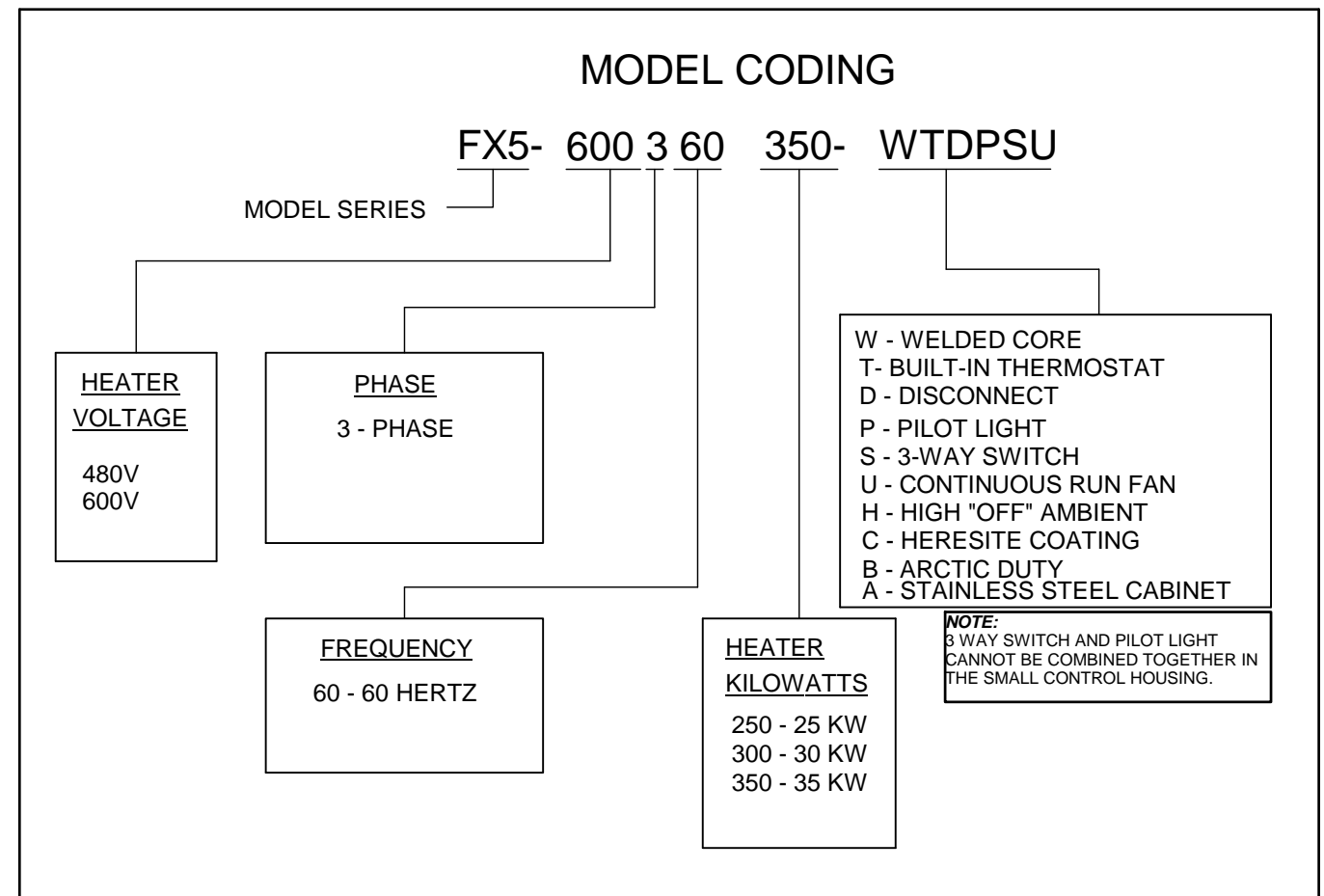
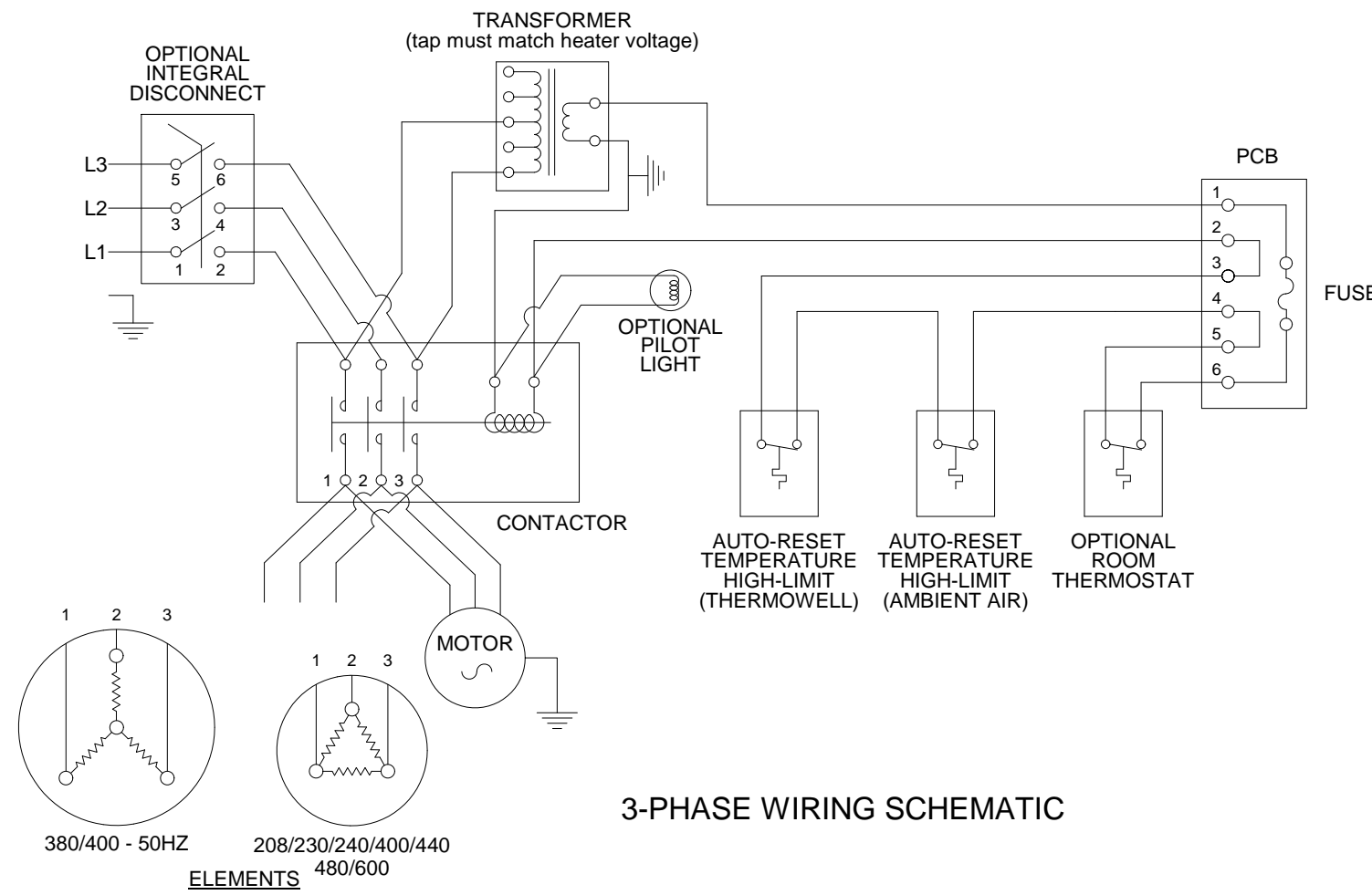
CORE: STEEL WITH INTEGRAL ALUMINUM FINN



REV.	REVISION DESCRIPTION	DATE	BY
TITLE: FX5 SERIES 16" FAN SIZE GENERAL ARRANGEMENT			
DWG NO.: 51747 SHEET: 1 OF 1		TOLERANCE UNLESS NOTED OTHERWISE	
SYTLINE NO.: N/A		± 1/2° ANGULAR	± 1/8" FRACTIONAL
SCALE: NTS		± .005" DECIMAL	± 3mm METRIC
DRN BY: pknight	15 AUG 2016	CCI Thermal Technologies Inc. EDMONTON, ALBERTA	
CHK'D BY: LB			
APP'D. BY: LB			

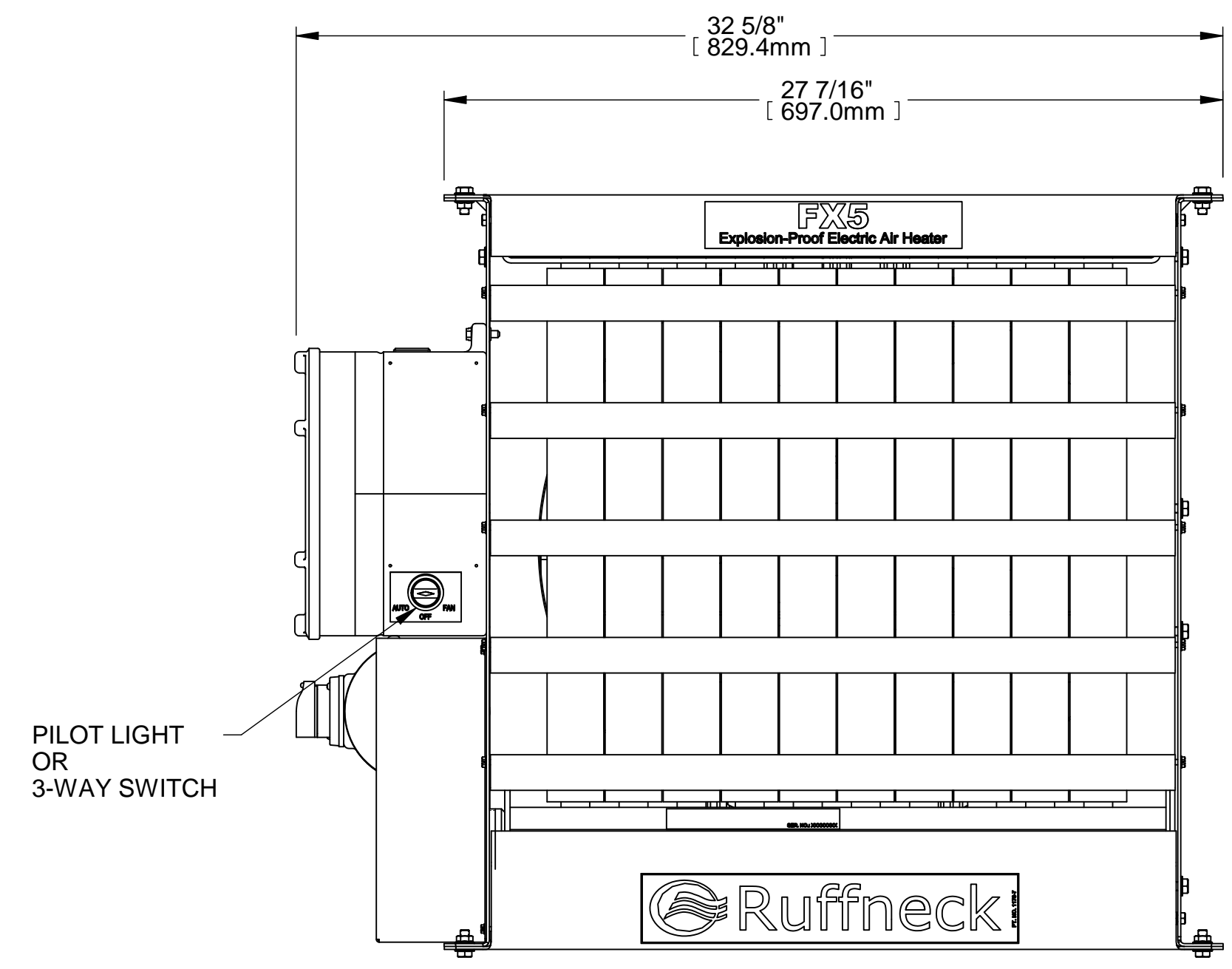
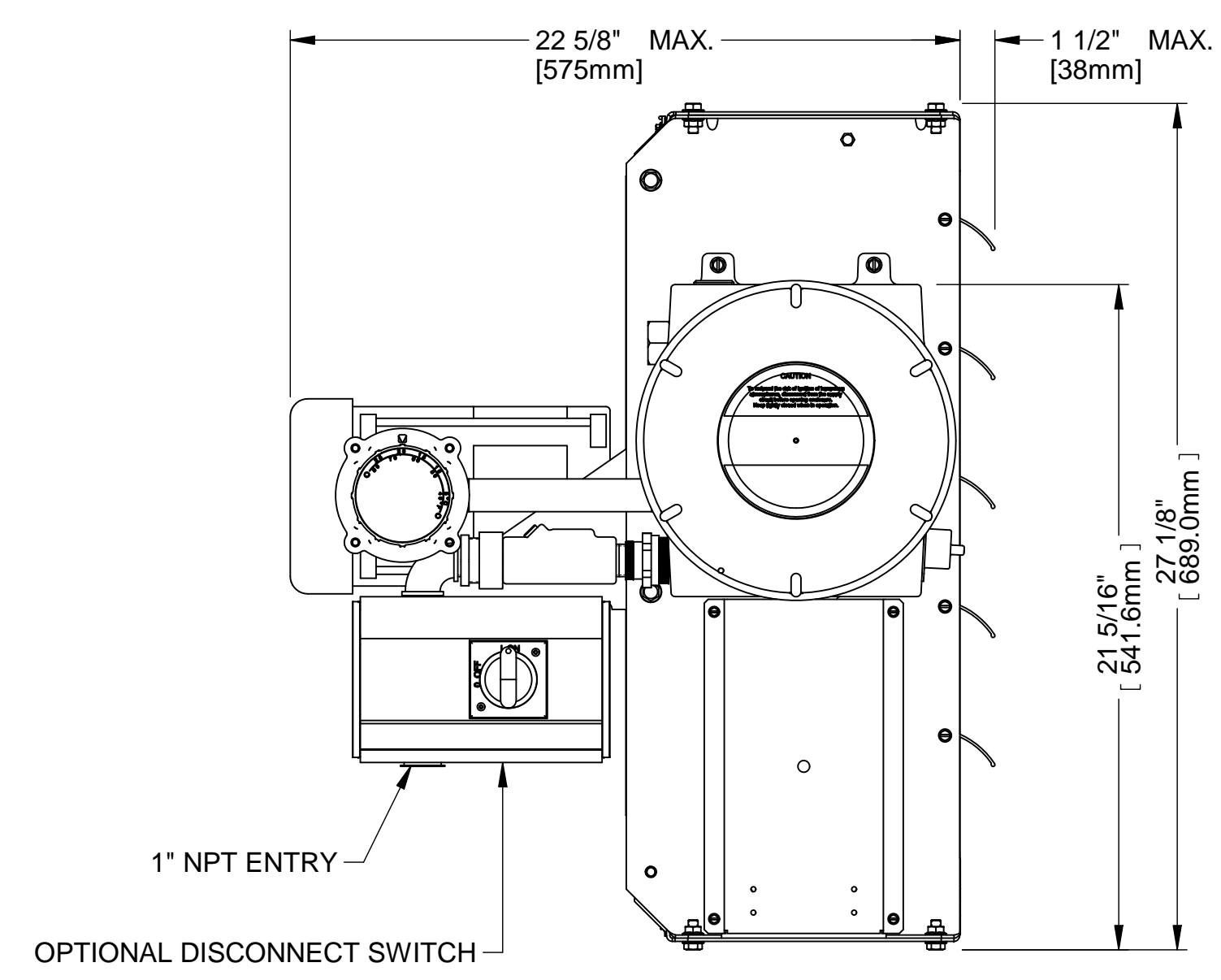
TABLE 1 - SPECIFICATIONS

KW (BTU/HR)	VOLT	PH	TOTAL CURRENT	MIN. CIRCUIT	MAX. FUSE	WIRE SIZE	BASIC MODEL	BUILT-IN THERMOSTAT	3-WAY SWITCH	PILOT LIGHT	DISCONNECT SWITCH	CONTINUOUS FAN
25 (85300)	480	3	30.1	37.6	40	8	FX5-480360-250	<input type="checkbox"/>	<input type="checkbox"/>	<input type="checkbox"/>	<input type="checkbox"/>	<input type="checkbox"/>
	600	3	24.1	30.1	35	8	FX5-600360-250	<input type="checkbox"/>	<input type="checkbox"/>	<input type="checkbox"/>	<input type="checkbox"/>	<input type="checkbox"/>
30 (102350)	480	3	36.1	45.1	50	6	FX5-480360-300	<input type="checkbox"/>	<input type="checkbox"/>	<input type="checkbox"/>	<input type="checkbox"/>	<input type="checkbox"/>
	600	3	28.9	36.1	40	8	FX5-600360-300	<input type="checkbox"/>	<input type="checkbox"/>	<input type="checkbox"/>	<input type="checkbox"/>	<input type="checkbox"/>
35 (119450)	480	3	42.1	52.6	60	6	FX5-480360-350	<input type="checkbox"/>	<input type="checkbox"/>	<input type="checkbox"/>	<input type="checkbox"/>	<input type="checkbox"/>
	600	3	33.7	42.1	45	8	FX5-600360-350	<input type="checkbox"/>	<input type="checkbox"/>	<input type="checkbox"/>	<input type="checkbox"/>	<input type="checkbox"/>

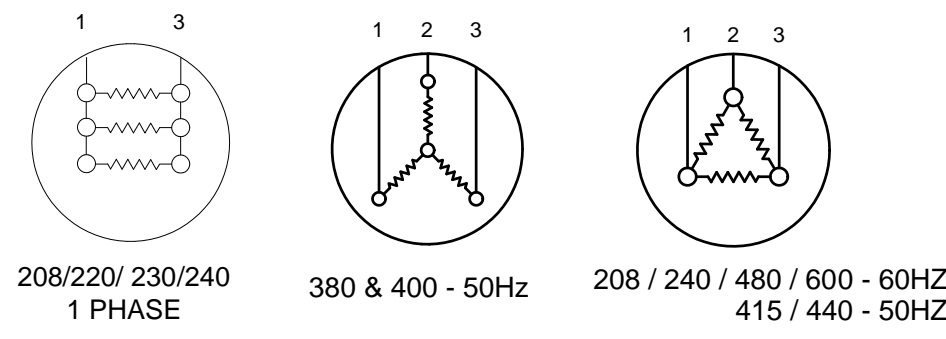
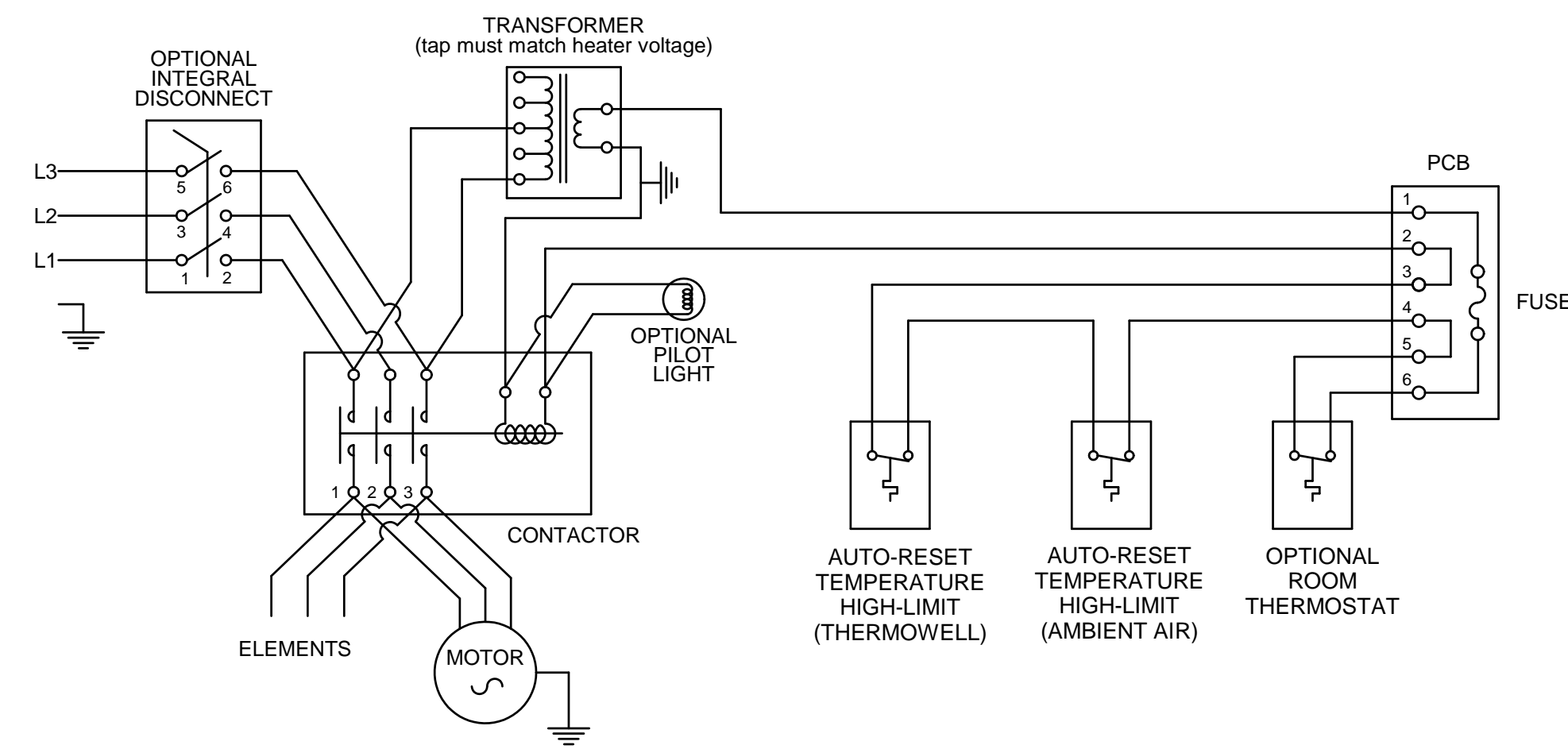


NOTES:

- NET WEIGHT:**
WITHOUT DISCONNECT: 94 KG [207 LBS]
WITH DISCONNECT: 100 KG [220 LBS]
 - SHIPPING WEIGHT:**
WITHOUT DISCONNECT: 117 KG [258 LBS]
WITH DISCONNECT: 123 KG [270 LBS]
 - MAX. OPERATING AMBIENT TEMP:**
40°C [104°F]
 - HAZARDOUS LOCATION CLASSIFICATION:**
cULus LISTED FOR THE FOLLOWING LOCATIONS:
CLASS I, DIVISION 1 & 2, GROUPS C & D
CLASS II, DIVISION 1, GROUPS E, F, & G
CLASS II, DIVISION 2, GROUPS F & G
CLASS I, ZONES 1 & 2, GROUPS IIA & IIB
 - AIR DELIVERY:**
3600 CFM @ 70°F (NOMINAL)
6116 m³/hr @ 21°C (NOMINAL)
 - MATERIALS:**
CABINET: 12 GA. EPOXY POWDER COATED RUFFNECK GREEN
CORE: STEEL WITH INTEGRAL ALUMINUM FINS
- TEMPERATURE CODE:
T3B 165°C [329°F]



REV.	REVISION DESCRIPTION	DATE	BY
TITLE: APPROVAL DATA SHEET RUFFNECK FX5 20"			
DWG NO.: 51748 SHEET: 1 OF 1		TOLERANCE UNLESS NOTED OTHERWISE	
SYTLINE NO.: 51748		± 1/2° ANGULAR	± 1/8" ± 3mm METRIC
SCALE: NTS		CCI Thermal Technologies INC. EDMONTON, ALBERTA	
DRN BY: pknight 15 AUG 2016			
CHK'D BY: LB			
APP'D. BY: LB			



WIRING SCHEMATIC

ELEMENTS

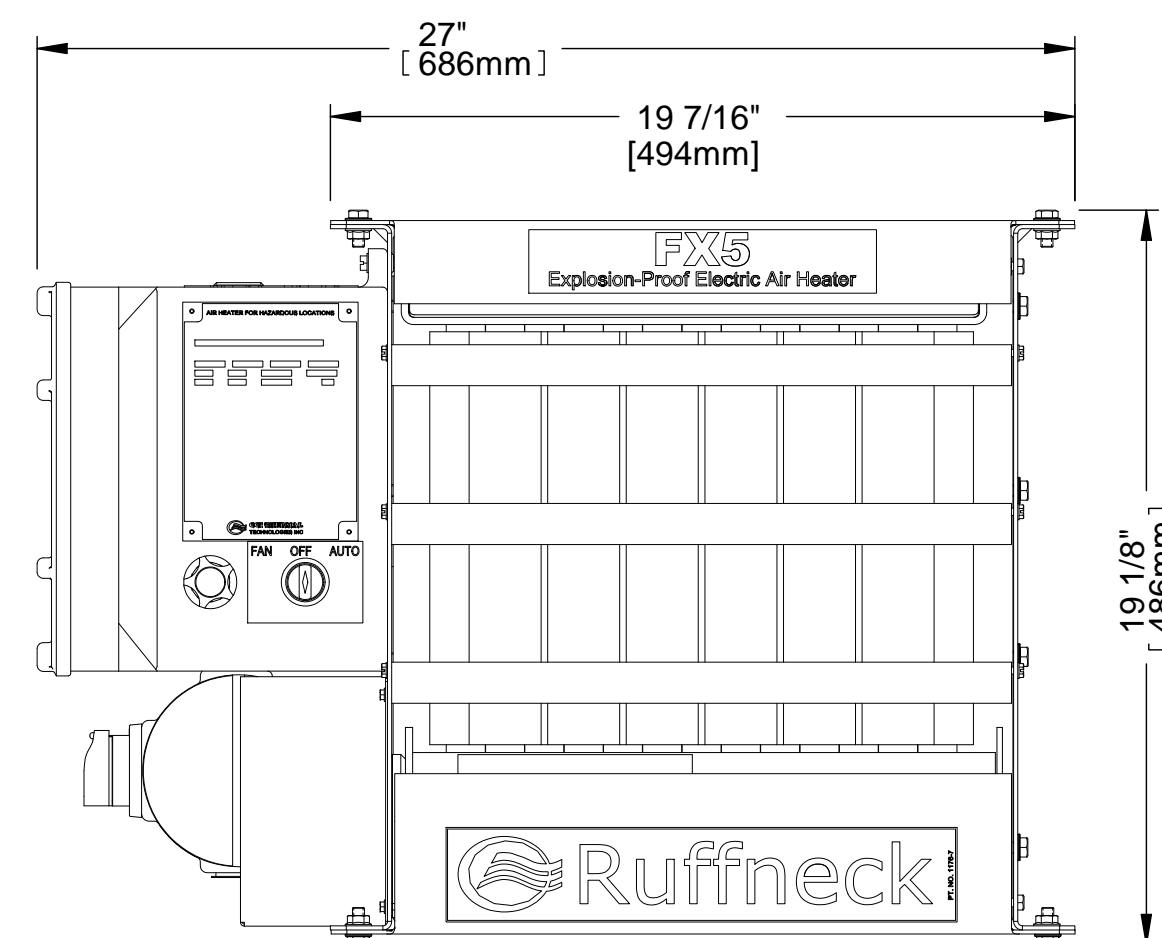
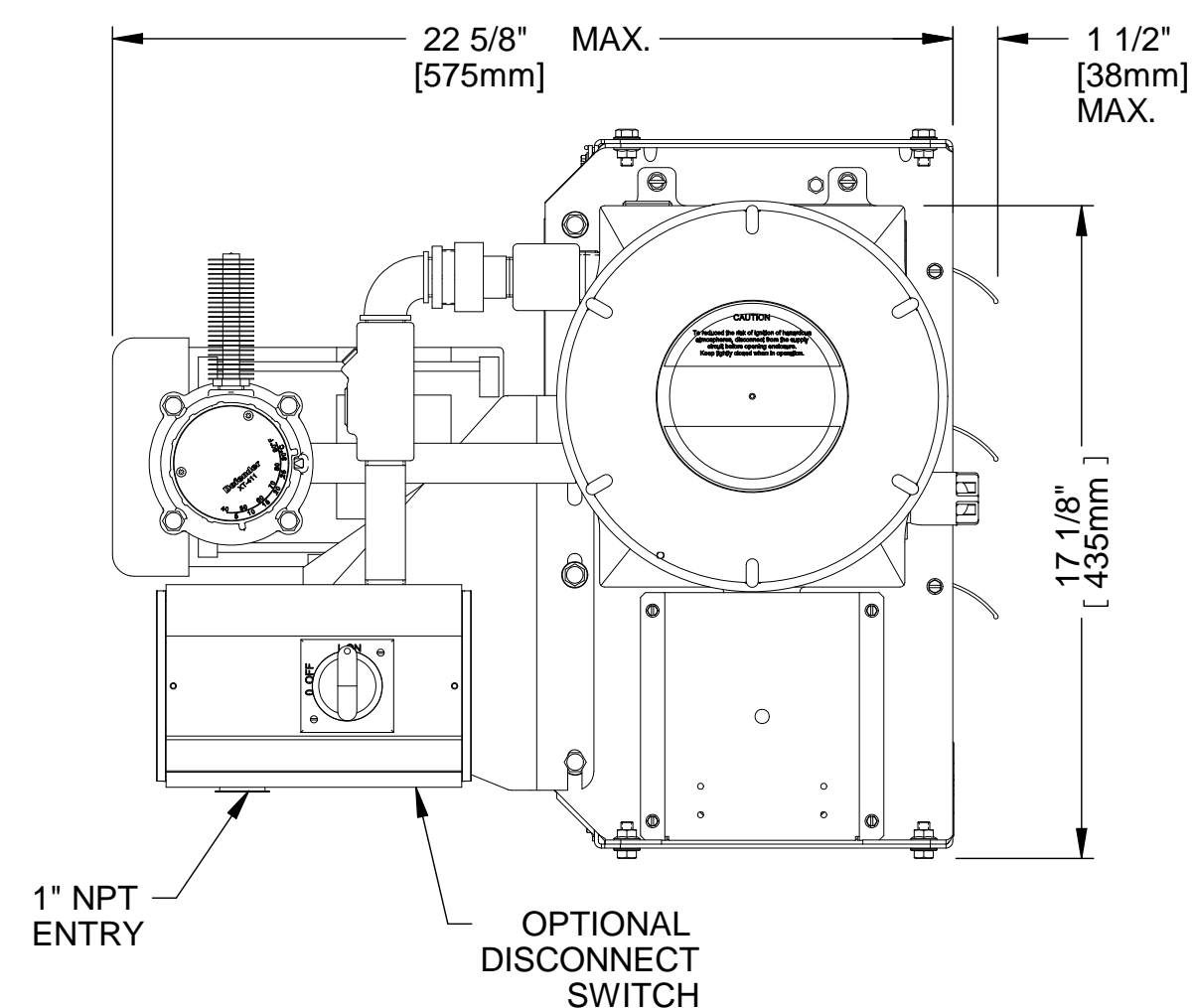
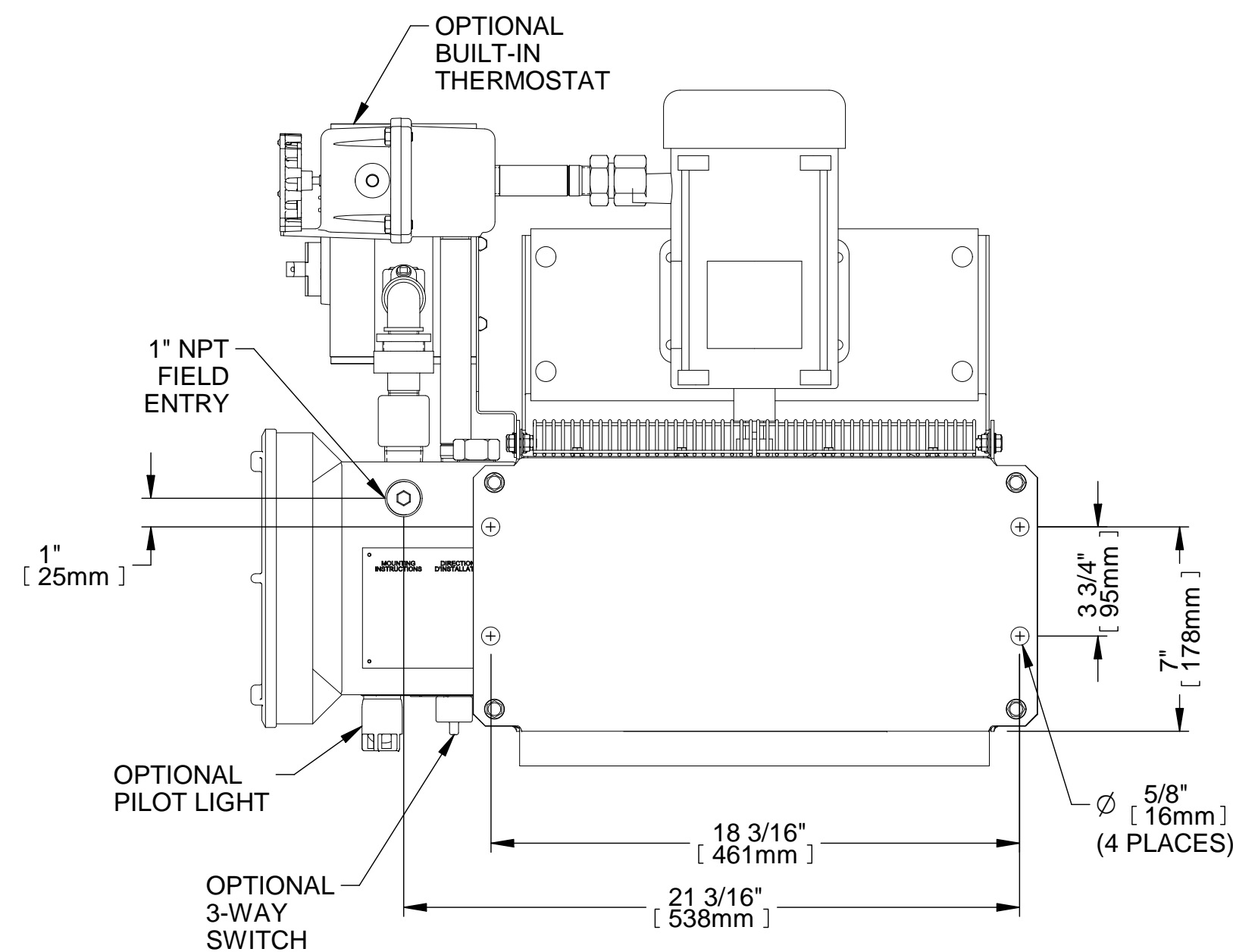
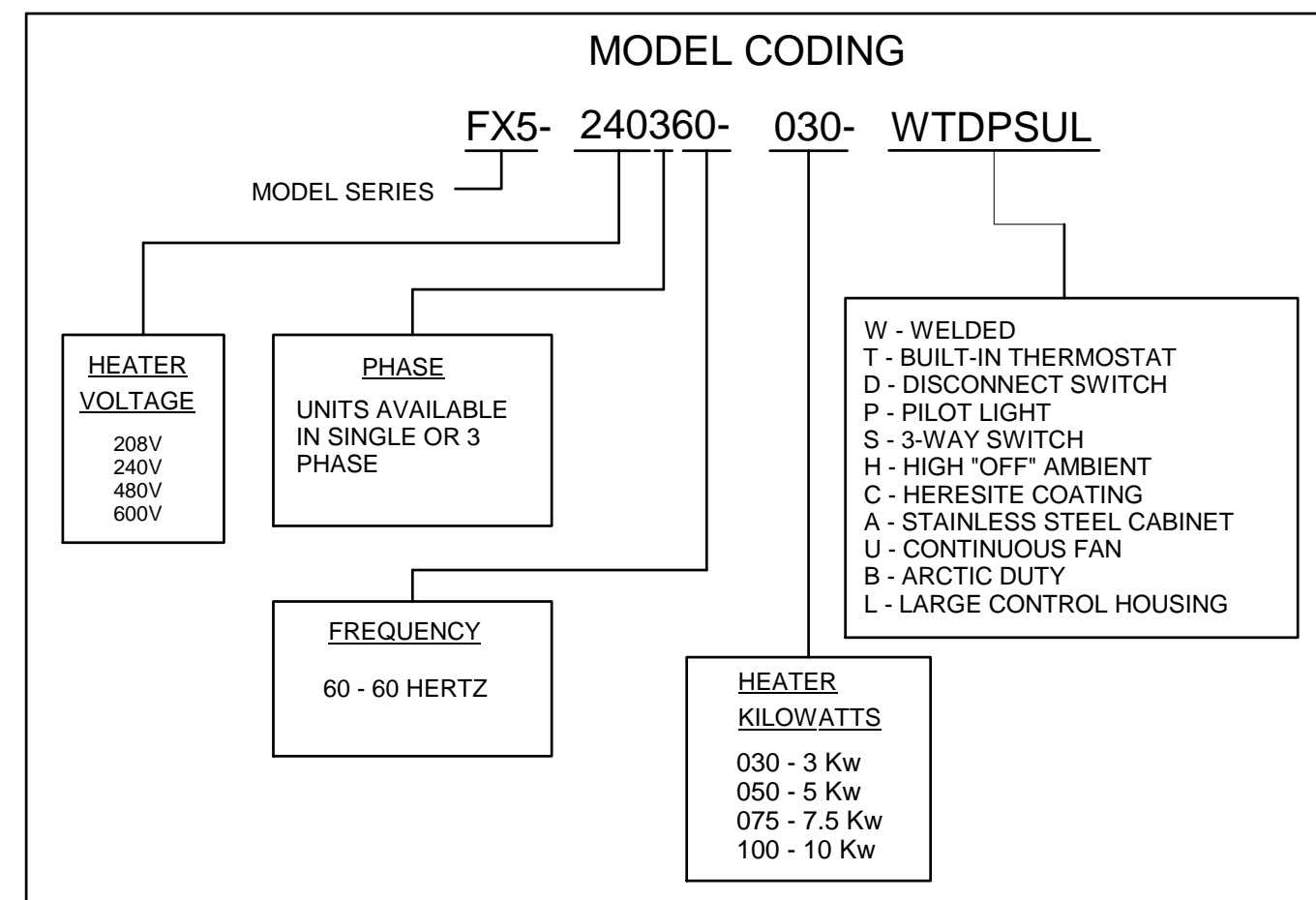


TABLE 1 - SPECIFICATIONS

KW (BTU/HR)	VOLT	PH	TOTAL CURRENT	MIN. CIRCUIT	MAX. FUSE	WIRE SIZE	BASIC MODEL	BUILT-IN THERMOSTAT	3-WAY SWITCH	PILOT LIGHT	DISCONNECT SWITCH	CONTINUOUS FAN
3 (10236)	208	1	14.4	18.0	20	12	FX5-208160-030	<input type="checkbox"/>	<input type="checkbox"/>	<input type="checkbox"/>	<input type="checkbox"/>	<input type="checkbox"/>
		3	8.3	10.4	15	14	FX5-208360-030	<input type="checkbox"/>	<input type="checkbox"/>	<input type="checkbox"/>	<input type="checkbox"/>	<input type="checkbox"/>
	240	1	12.5	15.6	20	12	FX5-240160-030	<input type="checkbox"/>	<input type="checkbox"/>	<input type="checkbox"/>	<input type="checkbox"/>	<input type="checkbox"/>
		3	7.2	9.0	15	14	FX5-240360-030	<input type="checkbox"/>	<input type="checkbox"/>	<input type="checkbox"/>	<input type="checkbox"/>	<input type="checkbox"/>
	480	1	6.3	7.9	15	14	FX5-480160-030	<input type="checkbox"/>	<input type="checkbox"/>	<input type="checkbox"/>	<input type="checkbox"/>	<input type="checkbox"/>
		3	3.6	4.5	15	14	FX5-480360-030	<input type="checkbox"/>	<input type="checkbox"/>	<input type="checkbox"/>	<input type="checkbox"/>	<input type="checkbox"/>
600	1	2.9	33.6	15	14	FX5-600360-030	<input type="checkbox"/>	<input type="checkbox"/>	<input type="checkbox"/>	<input type="checkbox"/>	<input type="checkbox"/>	
	3	2.9	33.6	15	14	FX5-600360-030	<input type="checkbox"/>	<input type="checkbox"/>	<input type="checkbox"/>	<input type="checkbox"/>	<input type="checkbox"/>	
5 (17060)	208	1	24.0	30.0	30	10	FX5-208160-050	<input type="checkbox"/>	<input type="checkbox"/>	<input type="checkbox"/>	<input type="checkbox"/>	<input type="checkbox"/>
		3	13.9	17.4	20	14	FX5-208360-050	<input type="checkbox"/>	<input type="checkbox"/>	<input type="checkbox"/>	<input type="checkbox"/>	<input type="checkbox"/>
	240	1	20.8	26.0	30	10	FX5-240160-050	<input type="checkbox"/>	<input type="checkbox"/>	<input type="checkbox"/>	<input type="checkbox"/>	<input type="checkbox"/>
		3	12.0	15.0	15	14	FX5-240360-050	<input type="checkbox"/>	<input type="checkbox"/>	<input type="checkbox"/>	<input type="checkbox"/>	<input type="checkbox"/>
	480	1	10.4	13.0	15	14	FX5-480160-050	<input type="checkbox"/>	<input type="checkbox"/>	<input type="checkbox"/>	<input type="checkbox"/>	<input type="checkbox"/>
		3	6.0	7.5	15	14	FX5-480360-050	<input type="checkbox"/>	<input type="checkbox"/>	<input type="checkbox"/>	<input type="checkbox"/>	<input type="checkbox"/>
600	1	4.8	6.0	15	14	FX5-600360-050	<input type="checkbox"/>	<input type="checkbox"/>	<input type="checkbox"/>	<input type="checkbox"/>	<input type="checkbox"/>	
	3	4.8	6.0	15	14	FX5-600360-050	<input type="checkbox"/>	<input type="checkbox"/>	<input type="checkbox"/>	<input type="checkbox"/>	<input type="checkbox"/>	
7.5 (25591)	208	1	36.1	45.1	50	6	FX5-208160-075	<input type="checkbox"/>	<input type="checkbox"/>	<input type="checkbox"/>	<input type="checkbox"/>	<input type="checkbox"/>
		3	20.8	26.0	30	10	FX5-208360-075	<input type="checkbox"/>	<input type="checkbox"/>	<input type="checkbox"/>	<input type="checkbox"/>	<input type="checkbox"/>
	240	1	31.3	39.1	40	8	FX5-240160-075	<input type="checkbox"/>	<input type="checkbox"/>	<input type="checkbox"/>	<input type="checkbox"/>	<input type="checkbox"/>
		3	18.0	22.5	25	10	FX5-240360-075	<input type="checkbox"/>	<input type="checkbox"/>	<input type="checkbox"/>	<input type="checkbox"/>	<input type="checkbox"/>
	480	1	15.6	19.5	20	12	FX5-480160-075	<input type="checkbox"/>	<input type="checkbox"/>	<input type="checkbox"/>	<input type="checkbox"/>	<input type="checkbox"/>
		3	9.0	11.3	15	14	FX5-480360-075	<input type="checkbox"/>	<input type="checkbox"/>	<input type="checkbox"/>	<input type="checkbox"/>	<input type="checkbox"/>
600	1	7.2	9.0	15	14	FX5-600360-075	<input type="checkbox"/>	<input type="checkbox"/>	<input type="checkbox"/>	<input type="checkbox"/>	<input type="checkbox"/>	
	3	7.2	9.0	15	14	FX5-600360-075	<input type="checkbox"/>	<input type="checkbox"/>	<input type="checkbox"/>	<input type="checkbox"/>	<input type="checkbox"/>	
10 (34121)	208	1	48.1	60.1	70	4	FX5-208160-100	<input type="checkbox"/>	<input type="checkbox"/>	<input type="checkbox"/>	N/A	<input type="checkbox"/>
		3	27.8	34.8	35	8	FX5-208360-100	<input type="checkbox"/>	<input type="checkbox"/>	<input type="checkbox"/>	<input type="checkbox"/>	<input type="checkbox"/>
	240	1	41.7	52.1	60	6	FX5-240160-100	<input type="checkbox"/>	<input type="checkbox"/>	<input type="checkbox"/>	<input type="checkbox"/>	<input type="checkbox"/>
		3	24.1	30.1	35	8	FX5-240360-100	<input type="checkbox"/>	<input type="checkbox"/>	<input type="checkbox"/>	<input type="checkbox"/>	<input type="checkbox"/>
	480	1	20.8	26.0	30	10	FX5-480160-100	<input type="checkbox"/>	<input type="checkbox"/>	<input type="checkbox"/>	<input type="checkbox"/>	<input type="checkbox"/>
		3	12.0	15.0	15	14	FX5-480360-100	<input type="checkbox"/>	<input type="checkbox"/>	<input type="checkbox"/>	<input type="checkbox"/>	<input type="checkbox"/>
600	1	9.6	12.0	15	14	FX5-600360-100	<input type="checkbox"/>	<input type="checkbox"/>	<input type="checkbox"/>	<input type="checkbox"/>	<input type="checkbox"/>	
	3	9.6	12.0	15	14	FX5-600360-100	<input type="checkbox"/>	<input type="checkbox"/>	<input type="checkbox"/>	<input type="checkbox"/>	<input type="checkbox"/>	

NOTES:

1. NET WEIGHT:
Without Disconnect 67 KG [148 LBS]
With Disconnect 73 KG [160 LBS]

2. SHIPPING WEIGHT:
Without Disconnect 92 KG [202 LBS]
With Disconnect 97 KG [214 LBS]

3. MAX. OPERATING AMBIENT TEMP:
40°C [104°F]

4. HAZARDOUS LOCATION CLASSIFICATION:
cULus LISTED FOR THE FOLLOWING LOCATIONS:
CLASS I, DIVISION 1 & 2, GROUPS C & D
CLASS II, DIVISION 1, GROUPS E, F, & G
CLASS II, DIVISION 2, GROUPS F & G
CLASS I, ZONES 1 & 2, GROUPS IIA & IIB

TEMPERATURE CODE:
T3B 165°C [329°F]

5. AIR DELIVERY:
FOR 3 kW and 5 kW UNITS:
500 CFM @ 70°F (NOMINAL)
850 m³/hr @ 21°C (NOMINAL)

FOR 7.5 kW and 10 kW UNITS:
850 CFM @ 70°F (NOMINAL)
1,444 m³/hr @ 21°C (NOMINAL)

6. MATERIALS:
CABINET: 12 GA. EPOXY POWDER COATED
RUFFNECK GREEN.

CORE: STEEL WITH INTEGRAL ALUMINUM FINS

REV.	REVISION DESCRIPTION	DATE	BY
TITLE: APPROVAL DATA SHEET - FX5 12" 60HZ, LARGE CONTROL HOUSING			
DWG NO.: 50960	SHEET:	TOLERANCE UNLESS NOTED OTHERWISE	
SYTLINE NO.: 50960		± 1/2" ANGULAR	± 0.005" DECIMAL
SCALE: N.T.S.		± 1/16" FRACTIONAL	± 1 mm METRIC
DRN BY: MCARGILL	12 AUG 2016	 CCI Thermal Technologies Inc. EDMONTON, ALBERTA	
CHK'D BY: RW			
APP'D. BY: MAN			

TABLE 1 - SPECIFICATIONS

KW (BTU/HR)	VOLT	PH	TOTAL CURRENT	MIN. CIRCUIT	MAX. FUSE	WIRE SIZE	BASIC MODEL	BUILT-IN THERMOSTAT	3-WAY SWITCH	PILOT LIGHT	DISCONNECT SWITCH	CONTINUOUS FAN
15 (51225)	208	3	41.6	52	60	6	FX5-208360-150	<input type="checkbox"/>	<input type="checkbox"/>	<input type="checkbox"/>	<input type="checkbox"/>	<input type="checkbox"/>
	240	1	62.5	78.1	80	2	FX5-240160-150	<input type="checkbox"/>	<input type="checkbox"/>	<input type="checkbox"/>	N/A	<input type="checkbox"/>
	480	3	36.1	45.1	50	6	FX5-240360-150	<input type="checkbox"/>	<input type="checkbox"/>	<input type="checkbox"/>	<input type="checkbox"/>	<input type="checkbox"/>
	600	3	18.0	22.5	25	10	FX5-600360-150	<input type="checkbox"/>	<input type="checkbox"/>	<input type="checkbox"/>	<input type="checkbox"/>	<input type="checkbox"/>
20 (68300)	480	1	41.7	52.1	60	6	FX5-480160-200	<input type="checkbox"/>	<input type="checkbox"/>	<input type="checkbox"/>	<input type="checkbox"/>	<input type="checkbox"/>
	480	3	24.1	30.1	35	8	FX5-480360-200	<input type="checkbox"/>	<input type="checkbox"/>	<input type="checkbox"/>	<input type="checkbox"/>	<input type="checkbox"/>
	600	3	19.2	24.0	25	10	FX5-600360-200	<input type="checkbox"/>	<input type="checkbox"/>	<input type="checkbox"/>	<input type="checkbox"/>	<input type="checkbox"/>

NOTES:

1. NET WEIGHT:
 Without Disconnect 80 KG [177 LBS]
 With Disconnect 86 KG [189 LBS]

2. SHIPPING WEIGHT:
 Without Disconnect 103 KG [227 LBS]
 With Disconnect 108 KG [239 LBS]

3. MAX. OPERATING AMBIENT TEMP:
 40°C [104°F]

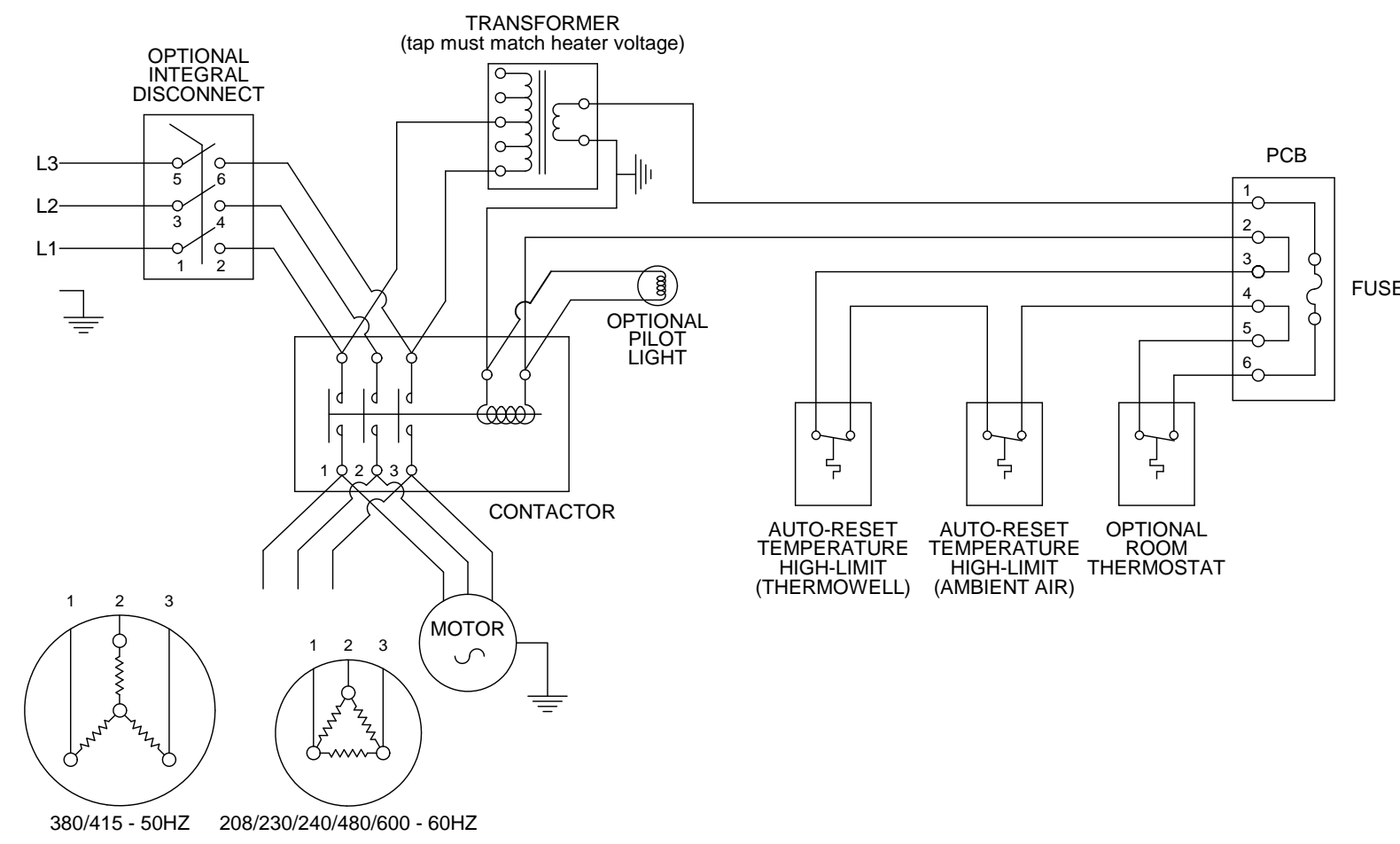
4. HAZARDOUS LOCATION CLASSIFICATION:
 cULus LISTED FOR THE FOLLOWING LOCATIONS:
 CLASS I, DIVISION 1 & 2, GROUPS C & D
 CLASS II, DIVISION 1, GROUPS E, F, & G
 CLASS II, DIVISION 2, GROUPS F & G
 CLASS I, ZONES 1 & 2, GROUPS IIA & IIB

TEMPERATURE CODE:
 T3B 165°C [329°F]

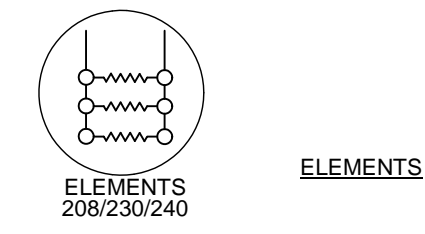
5. AIR DELIVERY:
 1750 CFM @ 70°F (NOMINAL)
 2973 m³/hr @ 21°C (NOMINAL)

6. MATERIALS:
 CABINET: 12 GA. EPOXY POWDER COATED
 RUFFNECK GREEN.

CORE: STEEL WITH INTEGRAL ALUMINUM FINS

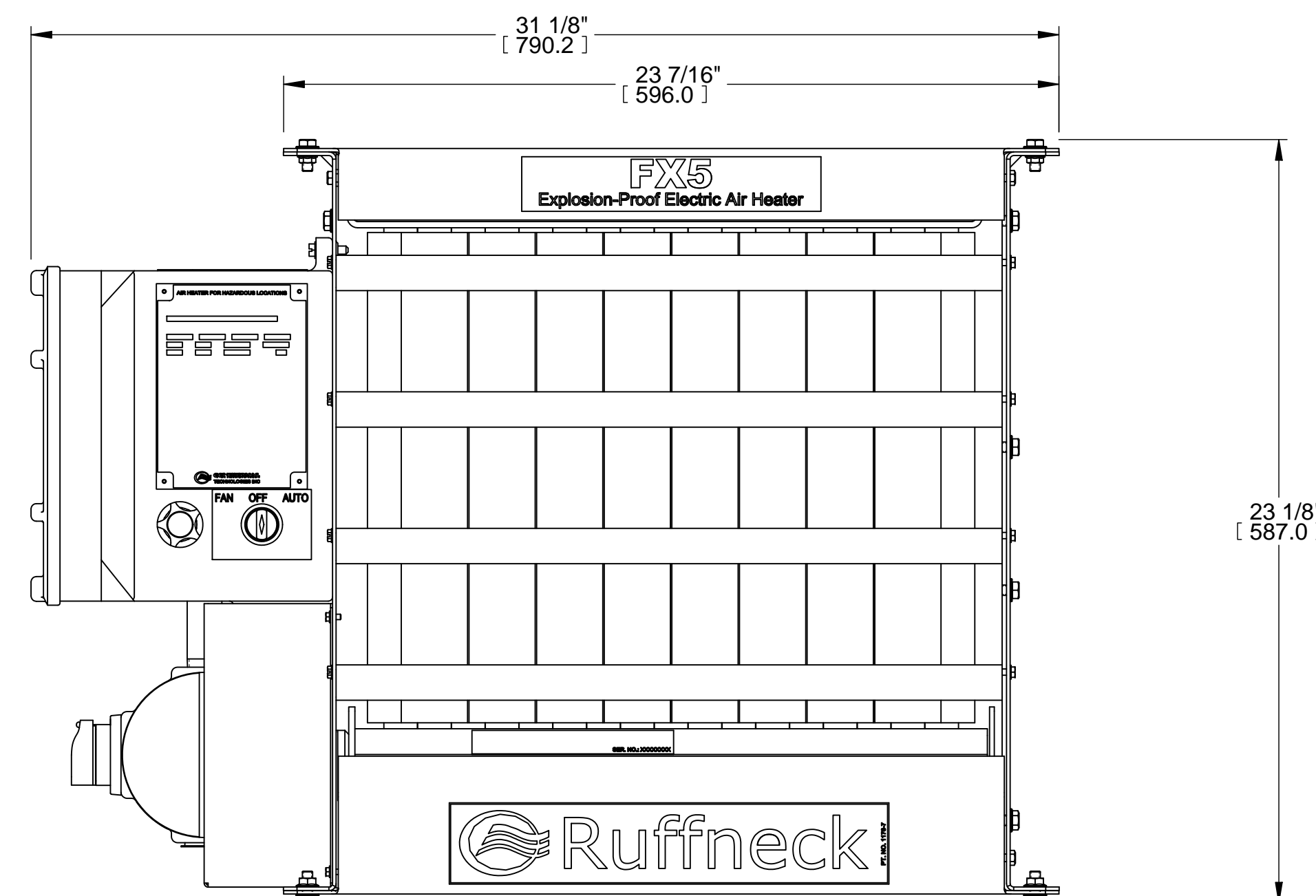
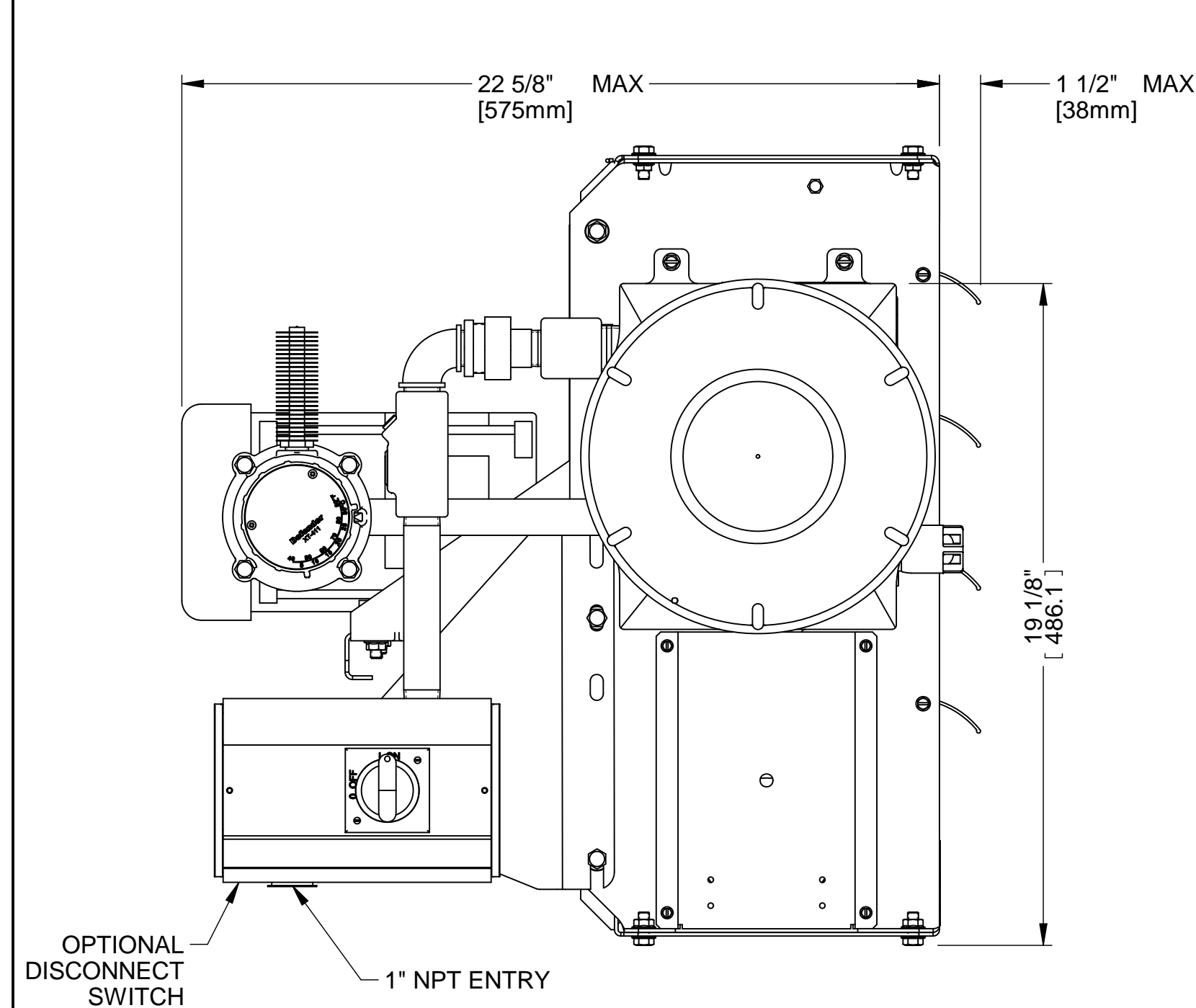
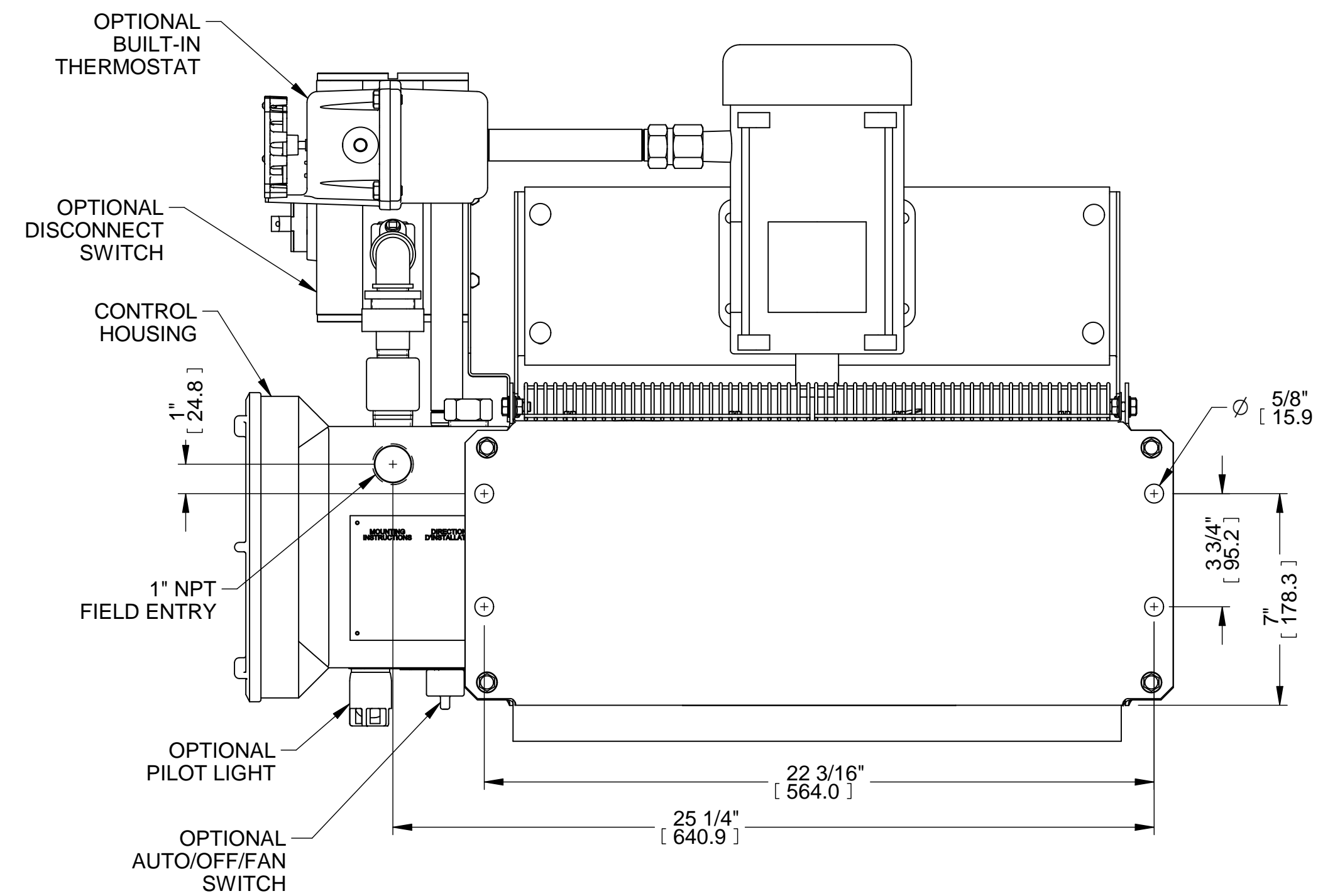
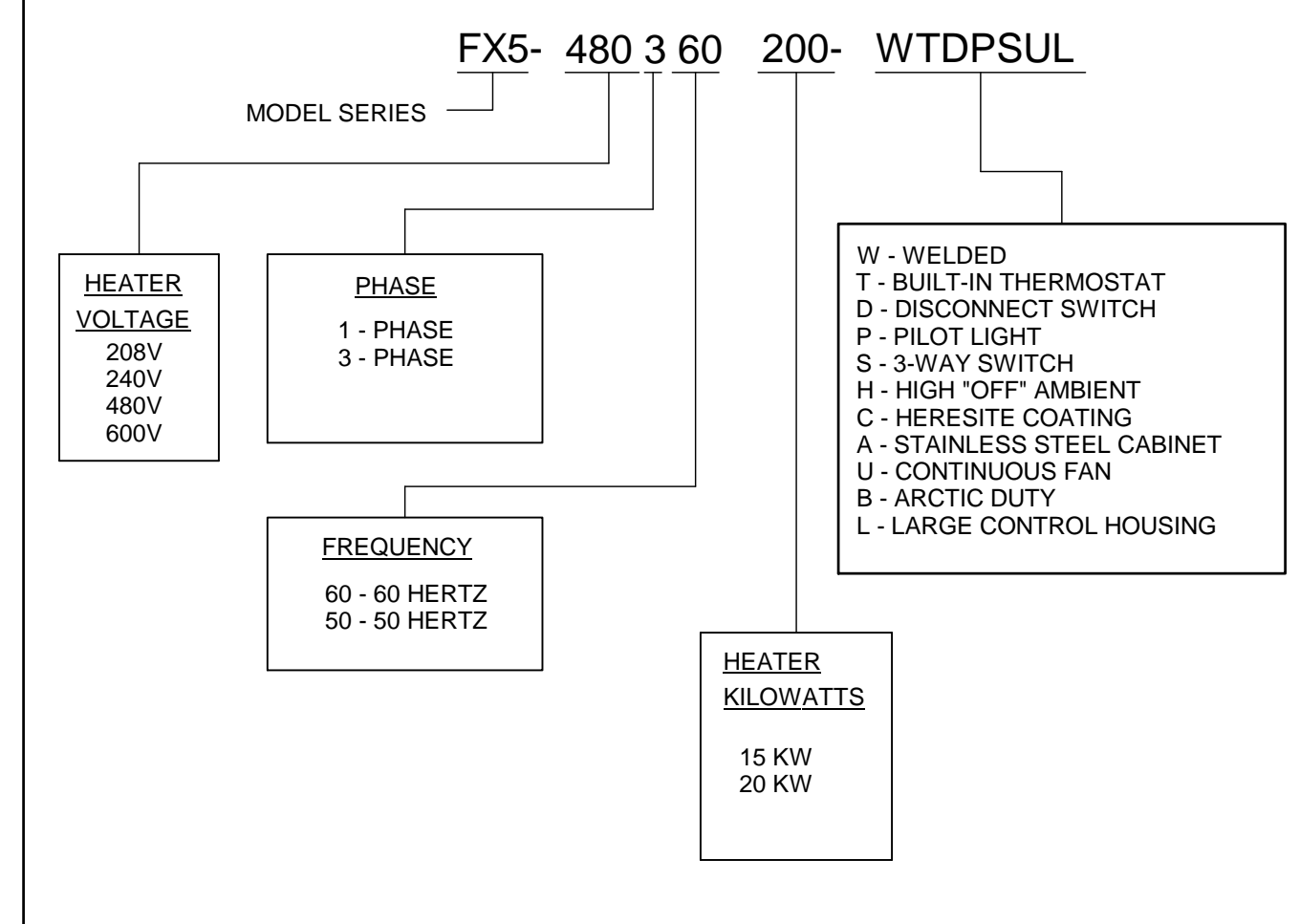


380/415 - 50HZ 208/230/240/480/600 - 60HZ



WIRING SCHEMATIC

MODEL CODING

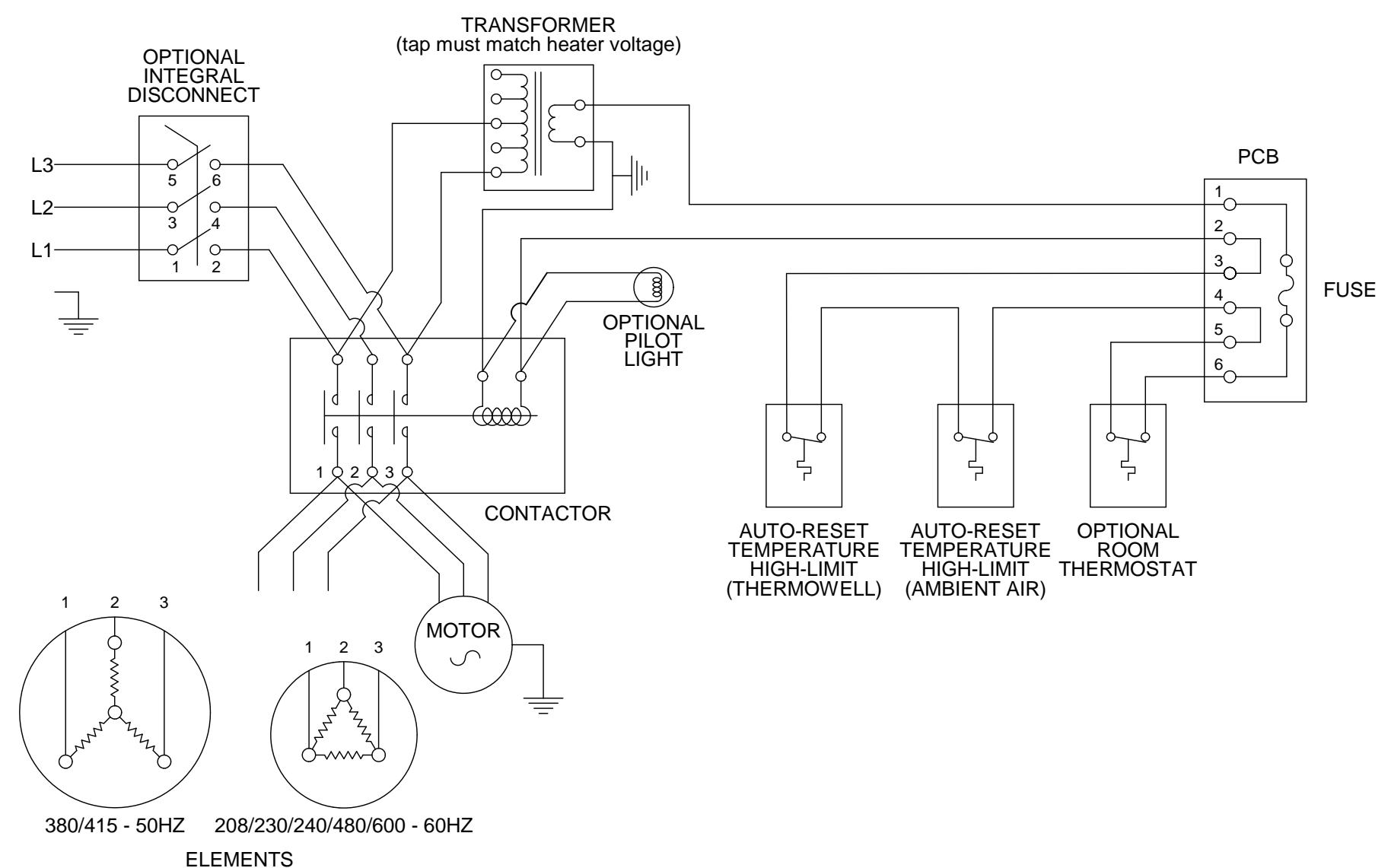


REV.	REVISION DESCRIPTION	DATE	BY
TITLE: APPROVAL DATA SHEET - FX5 16" 60HZ, LARGE CONTROL HOUSING			
DWG NO.: 50962 SHEET:		TOLERANCE UNLESS NOTED OTHERWISE	
SYTLINE NO.: N/A		± 1/2° ANGULAR	± 1/8" ± 3mm METRIC
SCALE: NONE			
DRN BY: nsanchez 12 AUG 2016			
CHK'D BY: LB			
APP'D. BY: MAN			

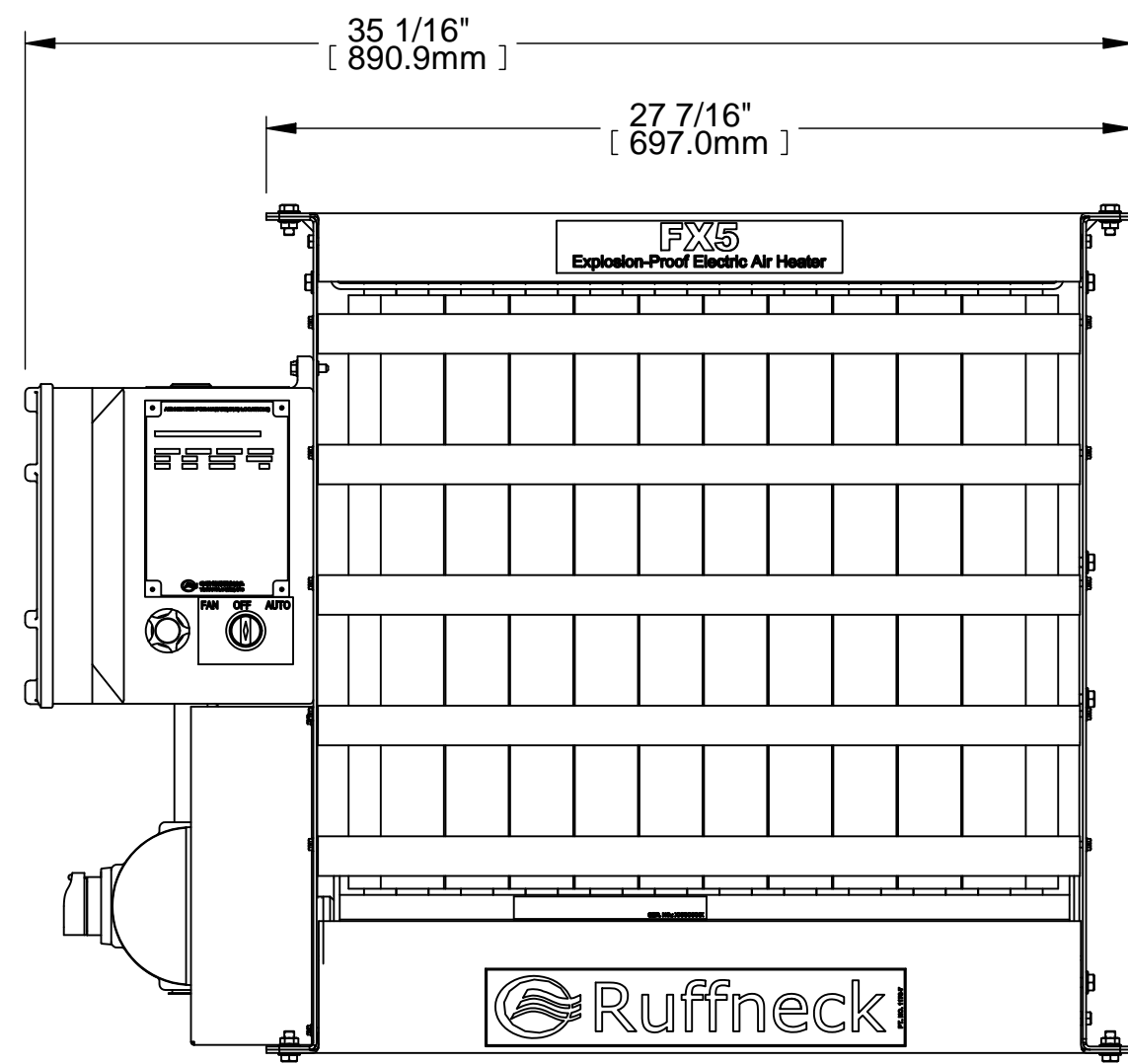
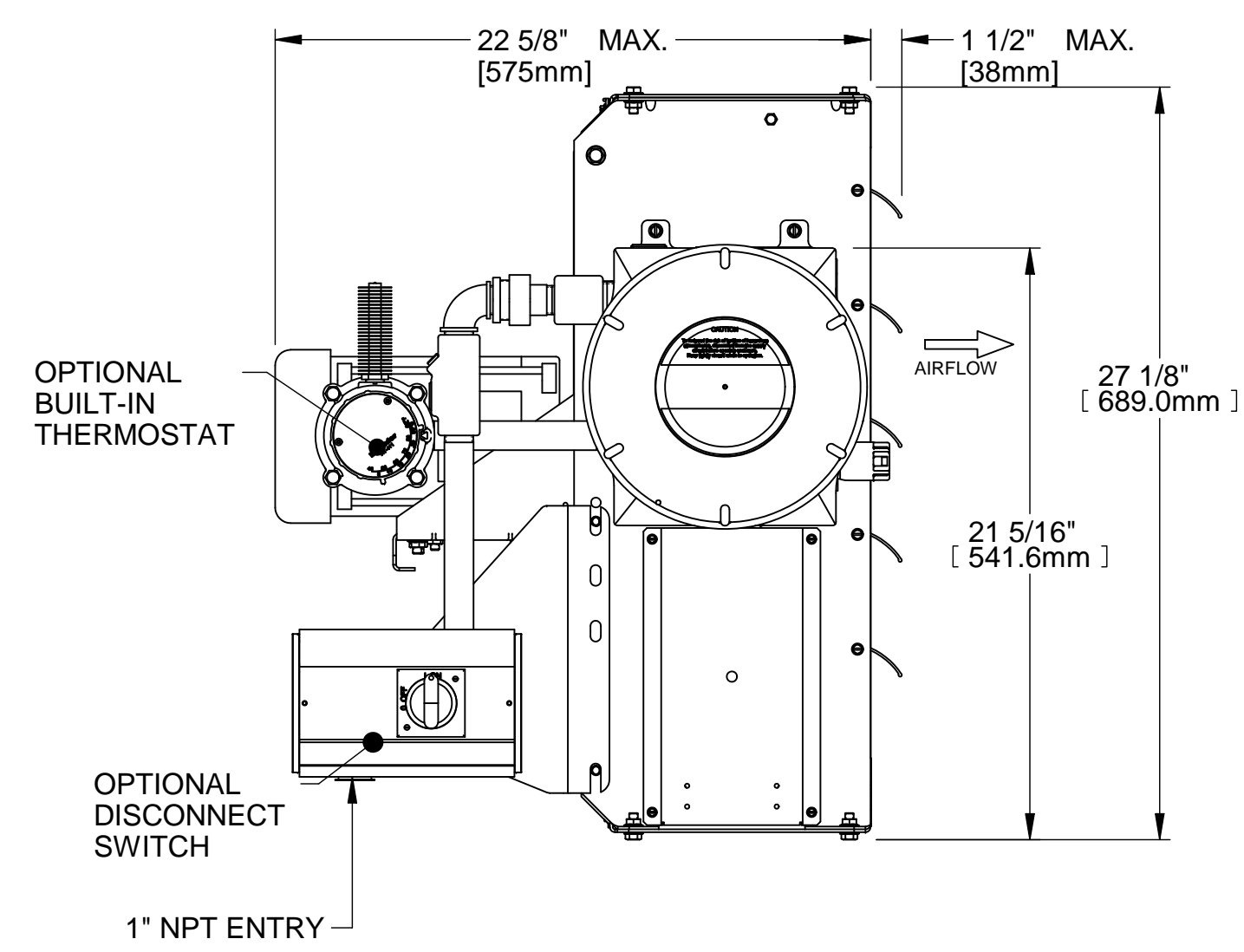
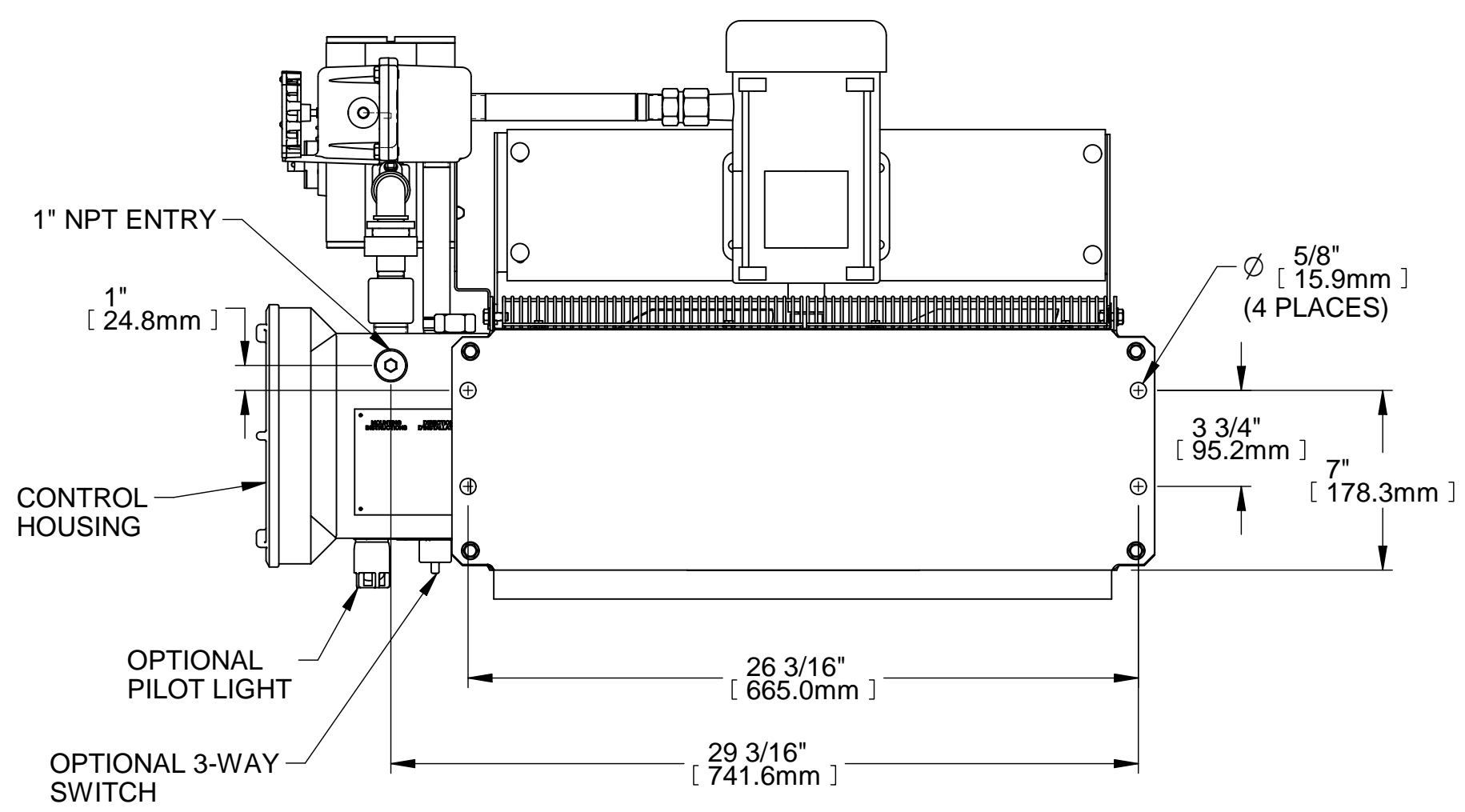
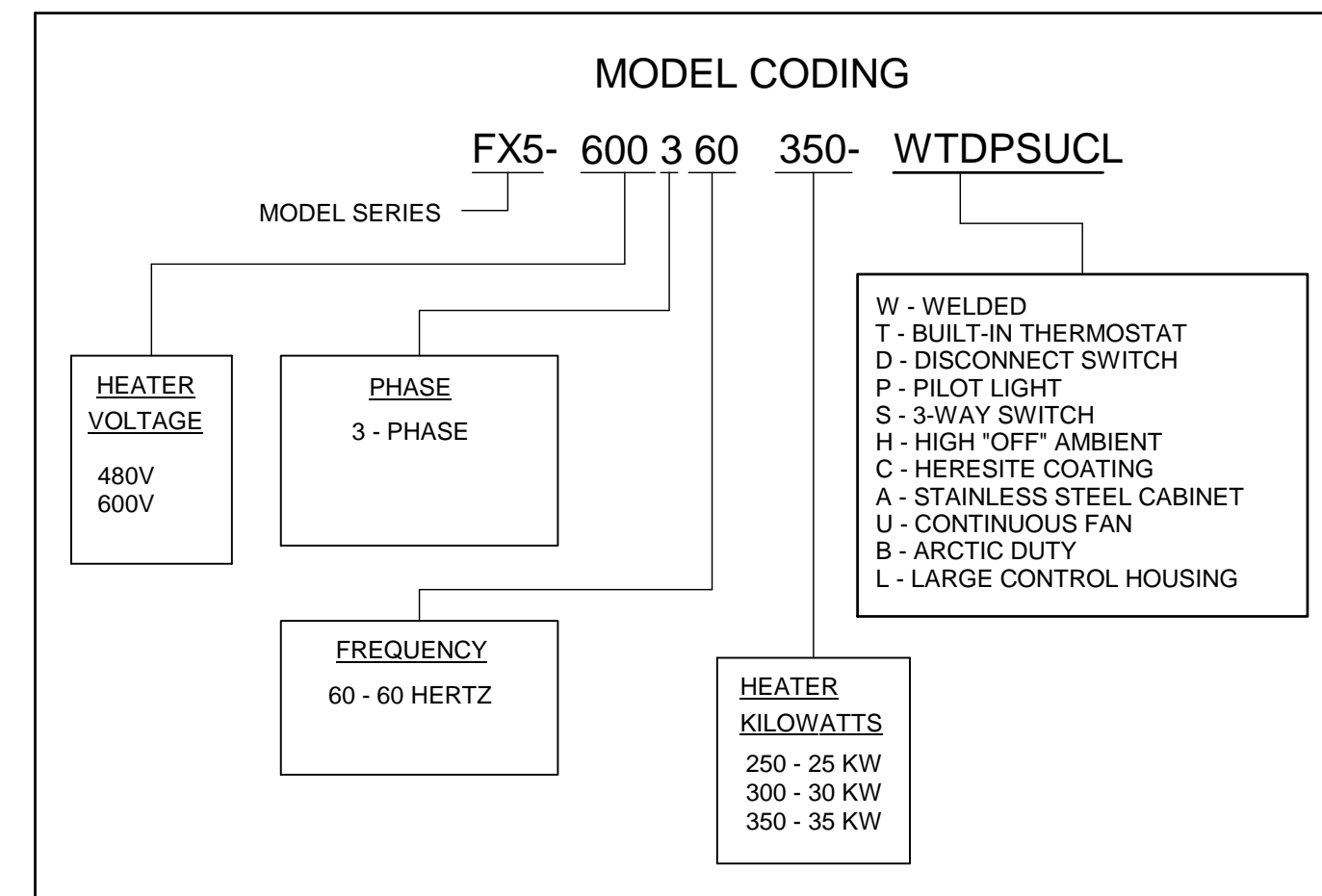


TABLE 1 - SPECIFICATIONS

KW (BTU/HR)	VOLT	PH	TOTAL CURRENT	MIN. CIRCUIT	MAX. FUSE	WIRE SIZE	BASIC MODEL	BUILT-IN THERMOSTAT	3-WAY SWITCH	PILOT LIGHT	DISCONNECT SWITCH	CONTINUOUS FAN
25 (85300)	480	3	30.1	37.6	40	8	FX5-480360-250	<input type="checkbox"/>	<input type="checkbox"/>	<input type="checkbox"/>	<input type="checkbox"/>	<input type="checkbox"/>
	600	3	24.1	30.1	35	8	FX5-600360-250	<input type="checkbox"/>	<input type="checkbox"/>	<input type="checkbox"/>	<input type="checkbox"/>	<input type="checkbox"/>
30 (102350)	480	3	36.1	45.1	50	6	FX5-480360-300	<input type="checkbox"/>	<input type="checkbox"/>	<input type="checkbox"/>	<input type="checkbox"/>	<input type="checkbox"/>
	600	3	28.9	36.1	40	8	FX5-600360-300	<input type="checkbox"/>	<input type="checkbox"/>	<input type="checkbox"/>	<input type="checkbox"/>	<input type="checkbox"/>
35 (119450)	480	3	42.1	52.6	60	6	FX5-480360-350	<input type="checkbox"/>	<input type="checkbox"/>	<input type="checkbox"/>	<input type="checkbox"/>	<input type="checkbox"/>
	600	3	33.7	42.1	45	8	FX5-600360-350	<input type="checkbox"/>	<input type="checkbox"/>	<input type="checkbox"/>	<input type="checkbox"/>	<input type="checkbox"/>



3-PHASE WIRING SCHEMATIC



NOTES:

1. NET WEIGHT:
Without Disconnect 96 KG [212 LBS]
With Disconnect 102 KG [224 LBS]

2. SHIPPING WEIGHT:
Without Disconnect 119 KG [263 LBS]
With Disconnect 125 KG [275 LBS]

3. MAX. OPERATING AMBIENT TEMP:
40°C [104°F]

4. HAZARDOUS LOCATION CLASSIFICATION:
cULus LISTED FOR THE FOLLOWING LOCATIONS:
CLASS I, DIVISION 1 & 2, GROUPS C & D
CLASS II, DIVISION 1, GROUPS E, F, & G
CLASS II, DIVISION 2, GROUPS F & G
CLASS I, ZONES 1 & 2, GROUPS IIA & IIB

TEMPERATURE CODE:
T3B 165°C [329°F]

5. AIR DELIVERY:
3600 CFM @ 70°F (NOMINAL)
6116 m³/hr @ 21°C (NOMINAL)

6. MATERIALS:
CABINET: 12 GA. CARBON STEEL
RUFFNECK GREEN

CORE: STEEL WITH INTEGRAL ALUMINUM FINS

REV.	REVISION DESCRIPTION	DATE	BY
TITLE: APPROVAL DATA SHEET - FX5 20" 60HZ, LARGE CONTROL HOUSING			
DWG NO.: 50974 SHEET:		TOLERANCE UNLESS NOTED OTHERWISE	
SYTLINE NO.: 50974		± 1/2° ANGULAR	± 1/8" ± 3mm METRIC
SCALE: NTS		± -	± 1/8" ± 3mm METRIC
DRN BY: MCARGILL 12 AUG 2016		CCI Thermal Technologies Inc. EDMONTON, ALBERTA	
CHK'D BY: LB			
APP'D. BY: MAN			