

NOTES:

- 1) ALL DIMENSIONS IN MILLIMETERS.
- 2) HAZARDOUS LOCATION CLASSIFICATIONS:
CLASS I, DIV 1&2, GROUPS C&D
CLASS II, DIV 1&2, GROUPS E,F&G
TEMPERATURE CODE: T3B 165°C (329°F)
- 3) MOTORS ARE CSA APPROVED AND/OR UL LISTED.
- 4) FAN: ALUMINUM BLADE, STEEL SPIDER AND HUB WITH 5/8" (15.875mm) BORE. OPTIONAL HERESITE COATING FOR CORROSIVE ATMOSPHERES.
- 5) FAN GUARD: SPLIT DESIGN WITH CLOSE WIRE SPACING, MEETS OSHA REQUIREMENTS.
- 6) MOTORS: PERMANENTLY LUBRICATED BALL BEARING TYPE WITH RIDGID BASE. EXPLOSION-PROOF OR TOTALLY ENCLOSED CONSTRUCTION. ALL STANDARD VOLTAGES FOR 60 AND 50 HERTZ ARE AVAILABLE.
- 7) FRAME MATERIAL: 16ga (0.060" OR 1.52mm) EPOXY-COATED STEEL, OPTIONAL STAINLESS STEEL OR HERESITE COATING FOR CORROSIVE ATMOSPHERES.
- 8) MOUNTING: FOUR 3/8" (9.5mm) Ø HOLES MUST BE MOUNTED TO A RIDGID STRUCTURE.

BASE MODEL	FAN SIZE	CABINET MATERIAL	MOTOR	SPECIAL BUILD
EFX	12	A	1 A	XX


MOTOR ELECTRICAL SPECS			
	VOLTS	PHASE	HERTZ
A	115	1	60
B	208	1	60
C	208	3	60
D	230	1	60
E	230	3	60
F	460	1	60
G	460	3	60
H	575	3	60
I	220	1	50
J	380	3	50
K	440	3	50

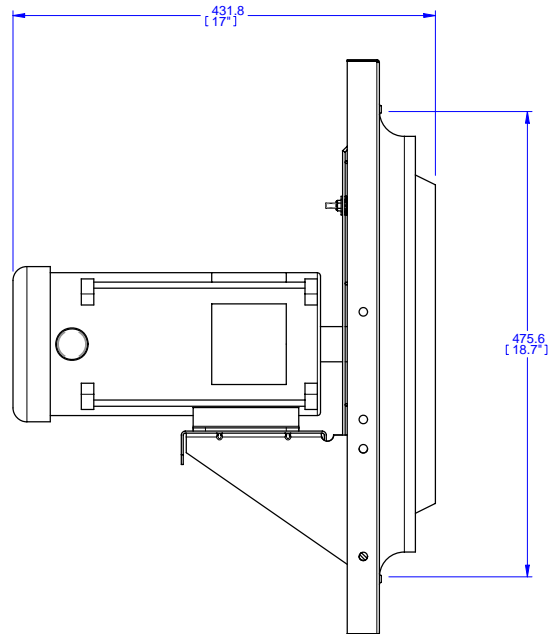
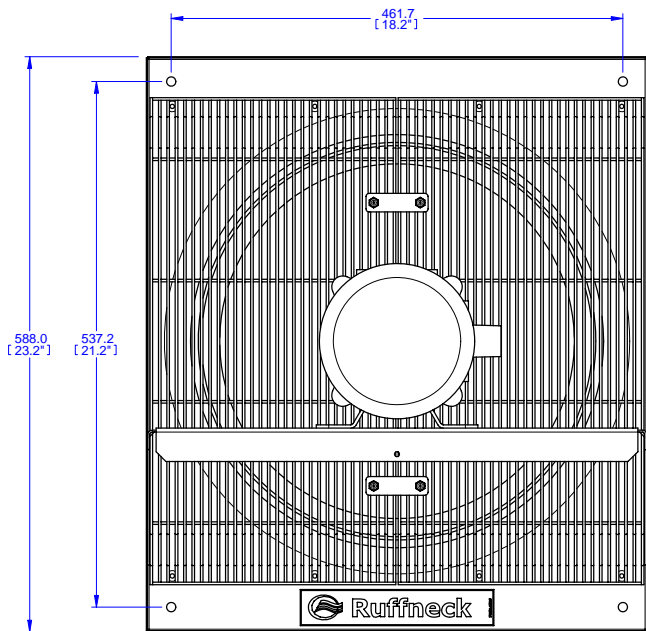
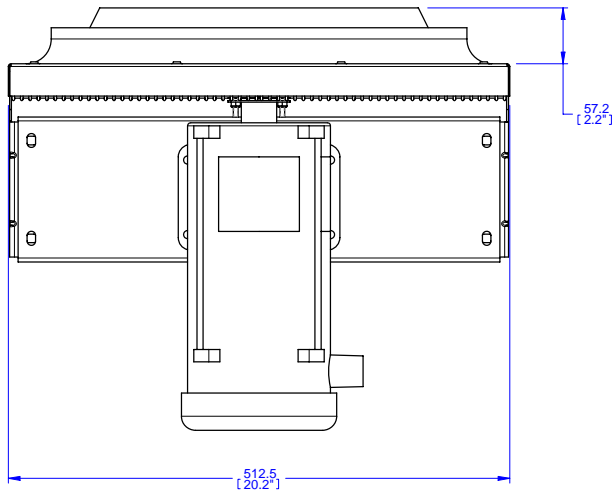
MOTOR ENCLOSURE	
1	TOTALLY ENCLOSED
2	X-PROOF GR C, D, E, F & G
3	WASHDOWN
4	WASHDOWN STAINLESS STEEL
5	SPECIAL MOTOR

CABINET MATERIAL	
A	EPOXY POWDER COATED CARBON STEEL
B	HERESITE PHENOLIC COATED CARBON STEEL
C	STAINLESS STEEL

FAN SIZE	
12	12" DIA

EXHAUST FAN MODEL	
EFX	EXHAUST FAN

REV.	REVISION DESCRIPTION	DATE	BY
TITLE: EFX12, EXHAUST FAN			
DWG NO.: 10187	SHEET:	TOLERANCE UNLESS NOTED OTHERWISE	
SYTLINE NO.: 10187		± 1/2"	± 0.005"
SCALE: SCALE		ANGULAR	DECIMAL
DRN BY: MCARGILL	10 May 2007	± 1/16"	± 1 mm
CHKD BY:		FRACTIONAL	METRIC
APP'D. BY:		 CCI Thermal Technologies Inc. EDMONTON, ALBERTA	



NOTES:

- 1) ALL DIMENSIONS IN MILLIMETERS.
- 2) HAZARDOUS LOCATION CLASSIFICATIONS:
CLASS I, DIV 1&2, GROUPS C&D
CLASS II, DIV 1&2, GROUPS E,F&G
TEMPERATURE CODE: T3B 165°C (329°F)
- 3) MOTORS ARE CSA APPROVED AND/OR UL LISTED.
- 4) FAN: ALUMINUM BLADE, STEEL SPIDER AND HUB WITH 5/8" (15.875mm) BORE. OPTIONAL HERESITE COATING FOR CORROSIVE ATMOSPHERES.
- 5) FAN GUARD: SPLIT DESIGN WITH CLOSE WIRE SPACING, MEETS OHSA REQUIREMENTS.
- 6) MOTORS: PERMANENTLY LUBRICATED BALL BEARING TYPE WITH RIDGID BASE. EXPLOSION-PROOF OR TOTALLY ENCLOSED CONSTRUCTION. ALL STANDARD VOLTAGES FOR 60 AND 50 HERTZ ARE AVAILABLE.
- 7) FRAME MATERIAL: 16ga (0.060" OR 1.52mm) EPOXY-COATED STEEL, OPTIONAL STAINLESS STEEL OR HERESITE COATING FOR CORROSIVE ATMOSPHERES.
- 8) MOUNTING: FOUR 3/8" (9.5mm) Ø HOLES MUST BE MOUNTED TO A RIDGID STRUCTURE.

BASE MODEL	FAN SIZE	CABINET MATERIAL	MOTOR	SPECIAL BUILD
EFX	16	A	1 A	XX


MOTOR ELECTRICAL SPECS			
	VOLTS	PHASE	HERTZ
A	115	1	60
B	208	1	60
C	208	3	60
D	230	1	60
E	230	3	60
F	460	1	60
G	460	3	60
H	575	3	60
I	220	1	50
J	380	3	50
K	440	3	50

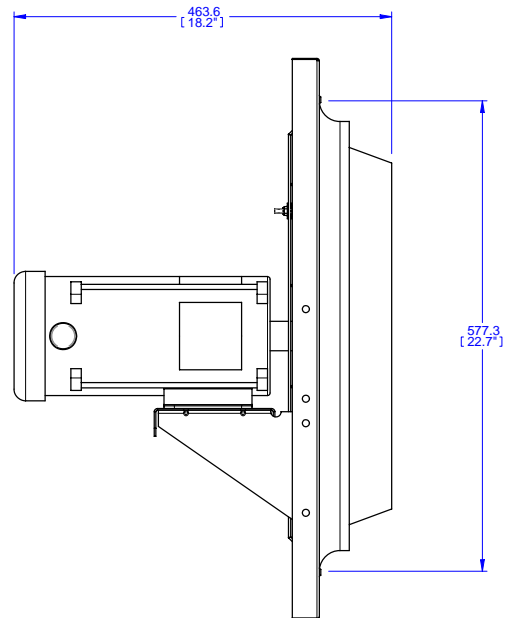
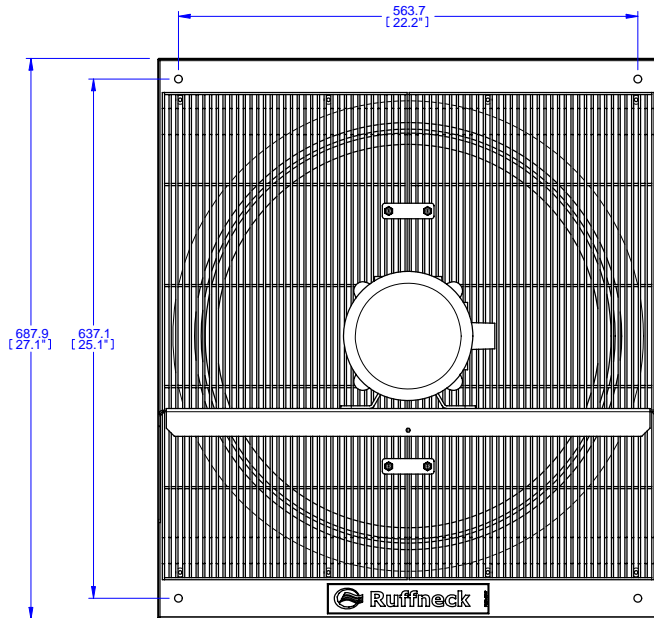
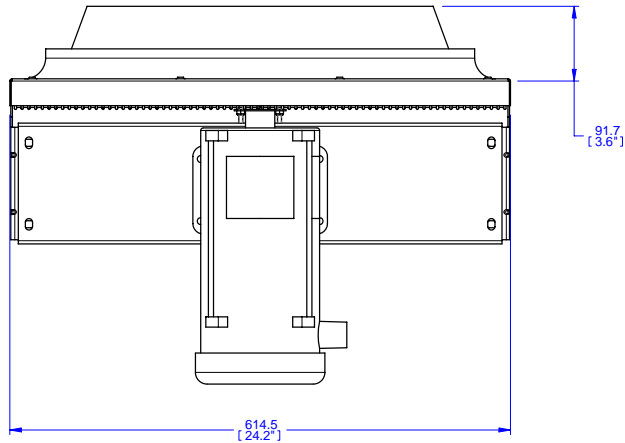
MOTOR ENCLOSURE	
1	TOTALLY ENCLOSED
2	X-PROOF GR C, D, E, F & G
3	WASHDOWN
4	WASHDOWN STAINLESS STEEL
5	SPECIAL MOTOR

CABINET MATERIAL	
A	EPOXY POWDER COATED CARBON STEEL
B	HERESITE PHENOLIC COATED CARBON STEEL
C	STAINLESS STEEL

FAN SIZE	
16	16" DIA

EXHAUST FAN MODEL	
EFX	EXHAUST FAN

REV.	REVISION DESCRIPTION	DATE	BY
TITLE: EFX16, EXHAUST FAN			
DWG NO.: 10188	SHEET:	TOLERANCE UNLESS NOTED OTHERWISE	
SYTLINE NO.: 10188		± 1/2"	± 0.005"
SCALE: SCALE		ANGULAR	DECIMAL
DRN BY: MCARGILL	10 May 2007	± 1/16"	± 1 mm
CHKD BY:		FRACTIONAL	METRIC
APP'D. BY:		 CCI Thermal Technologies Inc. EDMONTON, ALBERTA	



NOTES:

- 1) ALL DIMENSIONS IN MILLIMETERS.
- 2) HAZARDOUS LOCATION CLASSIFICATIONS:
CLASS I, DIV 1&2, GROUPS C&D
CLASS II, DIV 1&2, GROUPS E,F&G
TEMPERATURE CODE: T3B 165°C (329°F)
- 3) MOTORS ARE CSA APPROVED AND/OR UL LISTED.
- 4) FAN: ALUMINUM BLADE, STEEL SPIDER AND HUB WITH 5/8" (15.875mm) BORE. OPTIONAL HERESITE COATING FOR CORROSIVE ATMOSPHERES.
- 5) FAN GUARD: SPLIT DESIGN WITH CLOSE WIRE SPACING, MEETS OSHA REQUIREMENTS.
- 6) MOTORS: PERMANENTLY LUBRICATED BALL BEARING TYPE WITH RIDGID BASE. EXPLOSION-PROOF OR TOTALLY ENCLOSED CONSTRUCTION. ALL STANDARD VOLTAGES FOR 60 AND 50 HERTZ ARE AVAILABLE.
- 7) FRAME MATERIAL: 16ga (0.060" OR 1.52mm) EPOXY-COATED STEEL, OPTIONAL STAINLESS STEEL OR HERESITE COATING FOR CORROSIVE ATMOSPHERES.
- 8) MOUNTING: FOUR 3/8" (9.5mm) Ø HOLES MUST BE MOUNTED TO A RIDGID STRUCTURE.

BASE MODEL	FAN SIZE	CABINET MATERIAL	MOTOR	SPECIAL BUILD
EFX	20	A	1 A	XX


MOTOR ELECTRICAL SPECS			
	VOLTS	PHASE	HERTZ
A	115	1	60
B	208	1	60
C	208	3	60
D	230	1	60
E	230	3	60
F	460	1	60
G	460	3	60
H	575	3	60
I	220	1	50
J	380	3	50
K	440	3	50

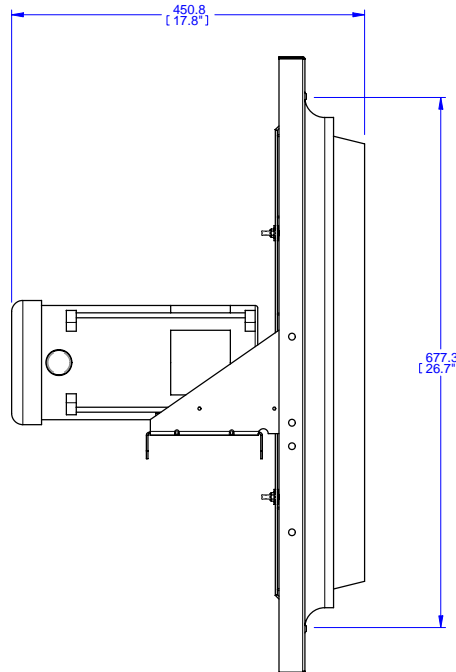
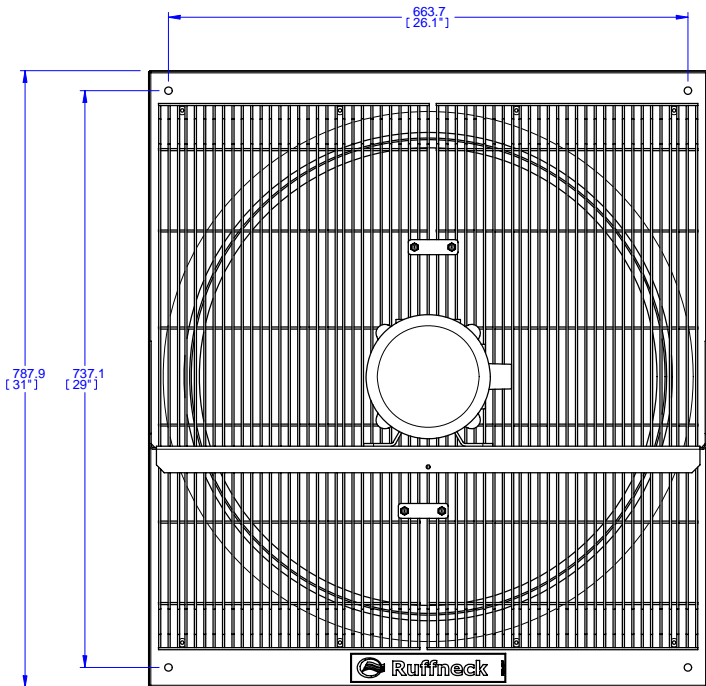
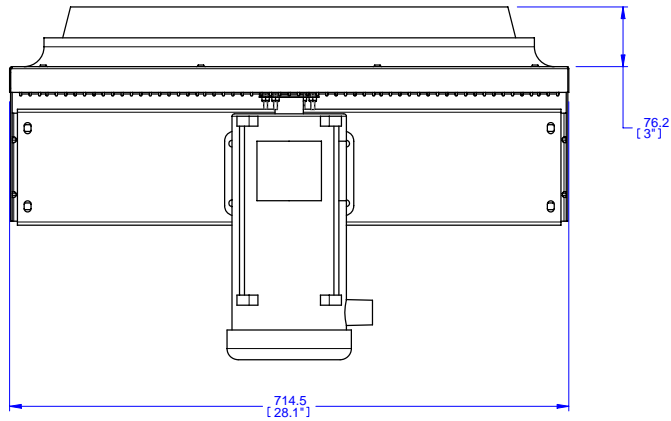
MOTOR ENCLOSURE	
1	TOTALLY ENCLOSED
2	X-PROOF GR C, D, E, F & G
3	WASHDOWN
4	WASHDOWN STAINLESS STEEL
5	SPECIAL MOTOR

CABINET MATERIAL	
A	EPOXY POWDER COATED CARBON STEEL
B	HERESITE PHENOLIC COATED CARBON STEEL
C	STAINLESS STEEL

FAN SIZE	
20	20" DIA

EXHAUST FAN MODEL	
EFX	EXHAUST FAN

REV.	REVISION DESCRIPTION	DATE	BY
TITLE: EFX20, EXHAUST FAN			
DWG NO.: 10189	SHEET:	TOLERANCE UNLESS NOTED OTHERWISE	
SYTLINE NO.: 10189		± 1/2"	± 0.005"
SCALE: SCALE		ANGULAR	DECIMAL
DRN BY: MCARGILL	10 May 2007	± 1/16"	± 1 mm
CHKD BY:		FRACTIONAL	METRIC
APP'D. BY:		 EDMONTON, ALBERTA	



NOTES:

- 1) ALL DIMENSIONS IN MILLIMETERS.
- 2) HAZARDOUS LOCATION CLASSIFICATIONS:
CLASS I, DIV 1&2, GROUPS C&D
CLASS II, DIV 1&2, GROUPS E,F&G
TEMPERATURE CODE: T3B 165°C (329°F)
- 3) MOTORS ARE CSA APPROVED AND/OR UL LISTED.
- 4) FAN: ALUMINUM BLADE, STEEL SPIDER AND HUB WITH 5/8" (15.875mm) BORE. OPTIONAL HERESITE COATING FOR CORROSIVE ATMOSPHERES.
- 5) FAN GUARD: SPLIT DESIGN WITH CLOSE WIRE SPACING, MEETS OHSA REQUIREMENTS.
- 6) MOTORS: PERMANENTLY LUBRICATED BALL BEARING TYPE WITH RIDGID BASE. EXPLOSION-PROOF OR TOTALLY ENCLOSED CONSTRUCTION. ALL STANDARD VOLTAGES FOR 60 AND 50 HERTZ ARE AVAILABLE.
- 7) FRAME MATERIAL: 16ga (0.060" OR 1.52mm) EPOXY-COATED STEEL, OPTIONAL STAINLESS STEEL OR HERESITE COATING FOR CORROSIVE ATMOSPHERES.
- 8) MOUNTING: FOUR 3/8" (9.5mm) Ø HOLES MUST BE MOUNTED TO A RIDGID STRUCTURE.

BASE MODEL	FAN SIZE	CABINET MATERIAL	MOTOR	SPECIAL BUILD
EFX	24	A	1 A	XX


MOTOR ELECTRICAL SPECS		
VOLTS	PHASE	HERTZ
A	115	1 60
B	208	1 60
C	208	3 60
D	230	1 60
E	230	3 60
F	460	1 60
G	460	3 60
H	575	3 60
I	220	1 50
J	380	3 50
K	440	3 50

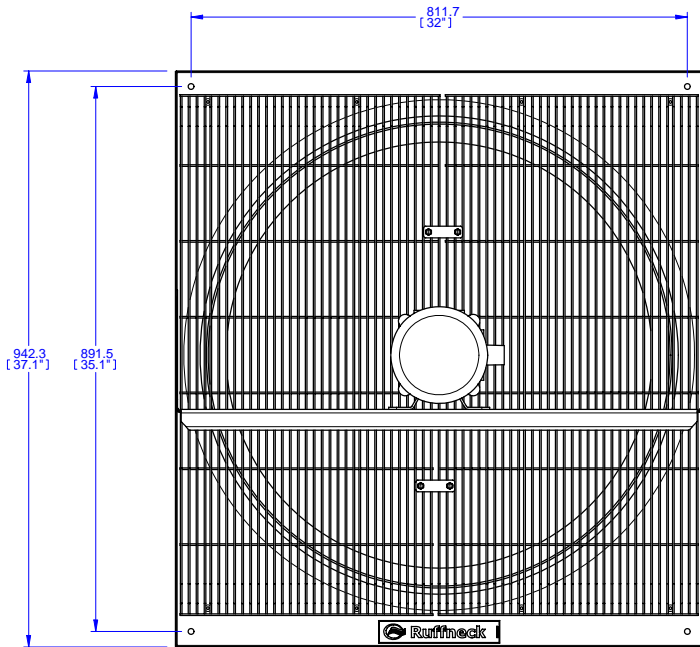
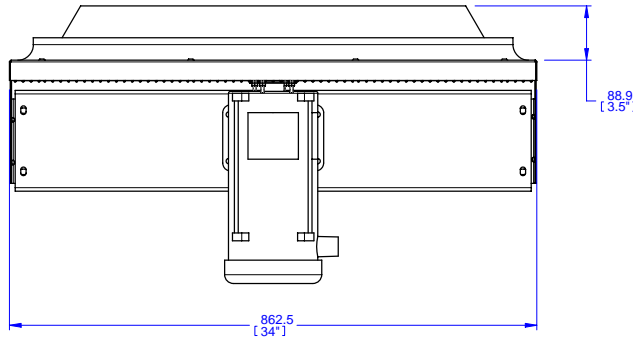
MOTOR ENCLOSURE	
1	TOTALLY ENCLOSED
2	X-PROOF, GR C, D, E, F & G
3	WASHDOWN
4	WASHDOWN STAINLESS STEEL
5	SPECIAL MOTOR

CABINET MATERIAL	
A	EPOXY POWDER COATED CARBON STEEL
B	HERESITE PHENOLIC COATED CARBON STEEL
C	STAINLESS STEEL

FAN SIZE	
24	24" DIA

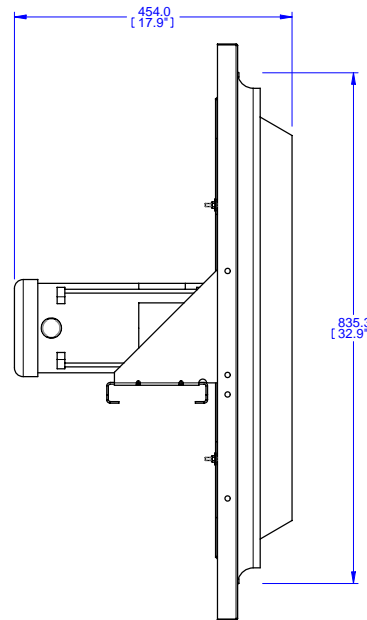
EXHAUST FAN MODEL	
EFX	EXHAUST FAN

REV.	REVISION DESCRIPTION	DATE	BY
TITLE: EFX24, EXHAUST FAN			
DWG NO.: 10190	SHEET:	TOLERANCE UNLESS NOTED OTHERWISE	
SYTLINE NO.: 10190		± 1/2"	± 0.005"
SCALE: SCALE		ANGULAR	DECIMAL
DRN BY: MCARGILL	10 May 2007	± 1/16"	± 1 mm
CHKD BY:		FRACTIONAL	METRIC
APP'D. BY:		 CCI Thermal Technologies Inc. EDMONTON, ALBERTA	



NOTES:

- 1) ALL DIMENSIONS IN MILLIMETERS.
- 2) HAZARDOUS LOCATION CLASSIFICATIONS:
CLASS I, DIV 1&2, GROUPS C&D
CLASS II, DIV 1&2, GROUPS E,F&G
TEMPERATURE CODE: T3B 165°C (329°F)
- 3) MOTORS ARE CSA APPROVED AND/OR UL LISTED.
- 4) FAN: ALUMINUM BLADE, STEEL SPIDER AND HUB WITH 5/8" (15.875mm) BORE. OPTIONAL HERESITE COATING FOR CORROSIVE ATMOSPHERES.
- 5) FAN GUARD: SPLIT DESIGN WITH CLOSE WIRE SPACING, MEETS OSHA REQUIREMENTS.
- 6) MOTORS: PERMANENTLY LUBRICATED BALL BEARING TYPE WITH RIDGID BASE. EXPLOSION-PROOF OR TOTALLY ENCLOSED CONSTRUCTION. ALL STANDARD VOLTAGES FOR 60 AND 50 HERTZ ARE AVAILABLE.
- 7) FRAME MATERIAL: 16ga (0.060" OR 1.52mm) EPOXY-COATED STEEL, OPTIONAL STAINLESS STEEL OR HERESITE COATING FOR CORROSIVE ATMOSPHERES.
- 8) MOUNTING: FOUR 3/8" (9.5mm) Ø HOLES MUST BE MOUNTED TO A RIDGID STRUCTURE.



BASE MODEL	FAN SIZE	CABINET MATERIAL	MOTOR	SPECIAL BUILD
EFX	30	A	1 A	XX


MOTOR ELECTRICAL SPECS			
	VOLTS	PHASE	HERTZ
A	115	1	60
B	208	1	60
C	208	3	60
D	230	1	60
E	230	3	60
F	460	1	60
G	460	3	60
H	575	3	60
I	220	1	50
J	380	3	50
K	440	3	50

MOTOR ENCLOSURE	
1	TOTALLY ENCLOSED
2	X-PROOF GR C, D, E, F & G
3	WASHDOWN
4	WASHDOWN STAINLESS STEEL
5	SPECIAL MOTOR

CABINET MATERIAL	
A	EPOXY POWDER COATED CARBON STEEL
B	HERESITE PHENOLIC COATED CARBON STEEL
C	STAINLESS STEEL

FAN SIZE	
30	30" DIA

EXHAUST FAN MODEL	
EFX	EXHAUST FAN

REV.	REVISION DESCRIPTION	DATE	BY
TITLE: EFX30, EXHAUST FAN			
DWG NO.: 10191	SHEET:	TOLERANCE UNLESS NOTED OTHERWISE	
SYTLINE NO.: 10191		± 1/2"	± 0.005"
SCALE: SCALE		ANGULAR	DECIMAL
DRN BY: mcargill	10 May 2007	± 1/16"	± 1 mm
CHKD BY:		FRACTIONAL	METRIC
APPD. BY:		 CCI Thermal Technologies Inc. EDMONTON, ALBERTA	